

Main Characteristics 主要技术参数 电压 Voltage: 650VAC ~ 1250VAC 电流: from 800A to 4800A 类别: aR

Size	Catalog Numbers	Designation	Ampere 电流	Voltage 电压	Pre-arcing 弧前 I ² t	Total I ² t @熔断	I@ 10ms	Watts Loss 功耗(W)		Breaking capacities
瓷管	订货号	型号规格	(A)	(V)	(KA ² S)	(KA ² S)	(A)	0.8In	In	分断能力
3-5	109H3001	KSP3-800A/1250VAC3BKN90	800A	1250VAC	170	1155	7500	80	160	110 KA
	109H3002	KSP3-900A/1250VAC3BKN90	900A	1250VAC	235	1620	8800	85	170	110 KA
	109H3003	KSP3-1000A/1200VAC3BKN90	1000A	1200VAC	385	2500	12000	85	170	120 KA
	109H3004	KSP3-1050A/1200VAC3BKN90	1050A	1200VAC	440	2850	12500	85	170	120 KA
	109H3005	KSP3-1100A/1150VAC3BKN90	1100A	1150VAC	530	3330	13500	85	170	220 KA
	109H3006	KSP3-1250A/1100VAC3BKN90	1250A	1100VAC	630	3650	15000	100	200	240 KA
	109H3007	KSP3-1400A/1000VAC3BKN90	1400A	1000VAC	860	4300	17000	110	220	220 KA
	109H3008	KSP3-1500A/950VAC3BKN90	1500A	950VAC	1150	5500	20000	115	230	220 KA
	109H3009	KSP3-1550A/950VAC3BKN90	1550A	950VAC	1270	6025	21000	120	240	220 KA
	109H3010	KSP3-1750A/850VAC3BKN90	1750A	850VAC	1700	7150	24000	125	250	230 KA
	109H3011	KSP3-1900A/850VAC3BKN90	1900A	850VAC	2100	9000	27000	140	280	230 KA
	109H3012	KSP3-2200A/750VAC3BKN90	2200A	750VAC	2750	10200	31000	148	295	212 KA
	109H3013	KSP3-2400A/700VAC3BKN90	2400A	700VAC	3950	13600	37000	153	305	212 KA
2-3-3	109H3201	KSH23-1600A/1150VAC23BK_80	1600A	1150VAC	680	4200	8400	165	330	115 KA
	109H3202	KSH23-1800A/1150VAC23BK_80	1800A	1150VAC	940	5800	11600	170	340	115 KA
	109H3203	KSH23-2000A/1100VAC23BK_80	2000A	1100VAC	1540	8800	17600	170	340	220 KA
	109H3204	KSH23-2100A/1100VAC23BK_80	2100A	1100VAC	1760	10100	20200	170	340	220 KA
	109H3205	KSH23-2200A/1050VAC23BK_80	2200A	1050VAC	2120	11500	23000	170	340	220 KA
	109H3206	KSH23-2500A/1000VAC23BK_80	2500A	1000VAC	2520	12500	25000	200	400	220 KA
	109H3207	KSH23-2800A/900VAC23BK_80	2800A	900VAC	3440	15500	31000	220	440	220 KA
	109H3208	KSH23-3000A/850VAC23BK_80	3000A	850VAC	4600	19500	39000	230	460	220 KA
	109H3209	KSH23-3100A/850VAC23BK_80	3100A	850VAC	5080	21600	43200	240	480	220 KA
	109H3210	KSH23-3500A/850VAC23BK_80	3500A	850VAC	6800	28600	57200	250	500	220 KA
	109H3211	KSH23-3800A/850VAC23BK_80	3800A	850VAC	8400	36000	72000	280	560	220 KA
	109H3212	KSH23-4400A/700VAC23BK_80	4400A	700VAC	11000	37700	75400	295	590	230 KA
	109H3213	KSH23-4800A/650VAC23BK_80	4800A	650VAC	15800	50000	100000	305	610	230 KA

Provide state of the art protection for high power semiconductors such as diodes, thyristors, GTO, IGCT' and IGBT

为二极管、晶闸管、GTO、IGCT 和 IGBT 等大功率半导体提供保护。

They have pure silver fuse elements embedded in solidified sand which provides optimized I²t and high interrupting rating. All contact surfaces are plated and all hardware nonmagnetic. 99.99%纯银熔体，高强度石英砂、低 I²t、接触表面均镀有电镀所有硬件均为非磁性材料。

All fuses are standard with a low voltage blown fuse indicator. This indicator can operate a micro-switch which is easily mounted directly onto the fuse in service.

熔断器均采用低压熔断器指示器。指示器可以操作微型开关，直接安装在熔断器上。指示器有 KN 和 KE 两种位置，任选一种。

APPLICATIONS 应用: Protection of large rectifiers, inverters, static transfer switch, AC & DC drives and UPS systems.

保护大型整流器，逆变器，静电转移开关，交流和直流驱动器及 UPS 系统。

称: 西安开尔泰电力电子制造有限公司 主页: [Http://www.kaiertfuse.com](http://www.kaiertfuse.com) 邮箱: kaiert@sina.com

电话: 029-86319515、029-86214655、029-86113970 传真: 029-86629371 手机: 13109528822

地址: 西安市经济技术开发区草滩生态产业园草滩三路 588 号 A5-3 QQ:645788944 邮编: 710018

Main Characteristics 主要技术参数 电压 Voltage: 650VAC ~ 1250VAC 电流: from 800A to 4800A 类别: aR

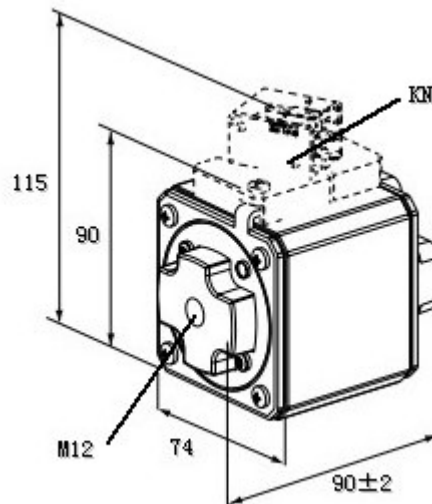
IEC 269-4 compliance for fuses for worldwide semiconductor applications

执行 IEC269.4 半导体保护熔断器标准。

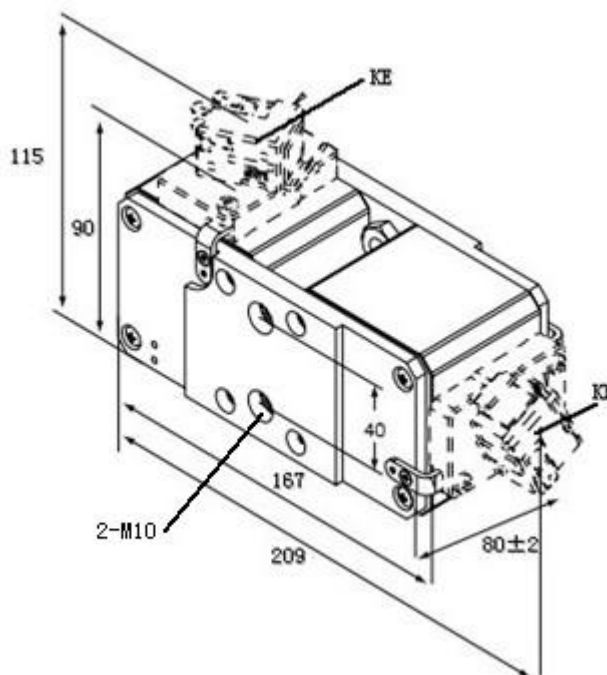
Cooling method 熔断器冷却方式:

Natural cooling 自然冷却、Forced air cooling 强迫风冷(风速 6m/s)、Single Water Cooling 单面水冷、Double Water Cooling 双面水冷。

Dimensions(mm) 安装示意图: size3-5



Dimensions(mm): 安装示意图 size: 2-3-3



Main Characteristics 主要技术参数 电压 Voltage: 800VAC ~ 1500VAC 电流: from 630A to 4400A 类别: aR

Size	Catalog Numbers	Designation	Ampere 电流	Voltage 电压	Pre-arcing 弧前 I ² t	Total I ² t @熔断	I@ 10ms	Watts Loss 功耗(W)		Breaking capacities
瓷管	订货号	型号规格	(A)	(V)	(KA ² S)	(KA ² S)	(A)	0.8In	In	分断能力
3-6	109H3101	KSP3-630A/1500VAC3BKN98	630A	1500VAC	89	635	5400	60	120	173 KA
	109H3102	KSP3-725A/1500VAC3BKN98	725A	1500VAC	139	990	6800	73	145	173 KA
	109H3103	KSP3-800A/1500VAC3BKN98	800A	1500VAC	186	1330	8000	79	157	173 KA
	109H3104	KSP3-850A/1500VAC3BKN98	850A	1500VAC	223	1590	8500	85	170	173 KA
	109H3105	KSP3-900A/1300VAC3BKN98	900A	1300VAC	235	1700	8800	68	135	148 KA
	109H3106	KSP3-950A/1300VAC3BKN98	950A	1300VAC	355	2600	11000	83	165	148 KA
	109H3107	KSP3-1000A/1250VAC3BKN98	1000A	1250VAC	385	2650	12000	85	170	115 KA
	109H3108	KSP3-1050A/1250VAC3BKN98	1050A	1250VAC	440	3020	12500	88	175	112 KA
	109H3109	KSP3-1100A/1200VAC3BKN98	1100A	1200VAC	530	3450	13500	88	175	115 KA
	109H3110	KSP3-1250A/1150VAC3BKN98	1250A	1150VAC	630	3950	15000	105	210	220 KA
	109H3111	KSP3-1400A/1100VAC3BKN98	1400A	1100VAC	860	4950	17000	110	220	115 KA
	109H3112	KSP3-1550A/950VAC3BKN98	1550A	950VAC	1270	6020	21000	123	245	115 KA
	109H3113	KSP3-1800A/900VAC3BKN98	1800A	900VAC	1755	7900	24500	130	260	235 KA
	109H3114	KSP3-2000A/850VAC3BKN98	2000A	850VAC	2100	8900	26500	140	280	235 KA
	109H3115	KSP3-2200A/850VAC3BKN98	2200A	850VAC	2750	11660	31000	150	300	235 KA
	109H3116	KSP3-2400A/750VAC3BKN98	2400A	750VAC	3950	14700	37000	155	310	212 KA
2-3-4	109H3401	KSH23-900A/1450VAC23BK_85	900A	1450VAC	172	1170	7470	63	125	158 KA
	109H3402	KSH23-1100A/1450VAC23BK_85	1100A	1450VAC	300	3000	9900	93	185	158 KA
	109H3403	KSH23-1250A/1350VAC23BK_85	1250A	1350VAC	356	2225	10800	120	240	115 KA
	109H3404	KSH23-1450A/1350VAC23BK_85	1450A	1350VAC	556	3475	13600	145	290	115 KA
	109H3405	KSH23-1600A/1350VAC23BK_85	1600A	1350VAC	744	4700	16000	158	315	115 KA
	109H3406	KSH23-1700A/1350VAC23BK_85	1700A	1350VAC	892	5630	17000	170	340	115 KA
	109H3407	KSH23-1800A/1300VAC23BK_85	1800A	1300VAC	940	6800	17600	135	270	175
	109H3408	KSH23-1900A/1300VAC23BK_85	1900A	1300VAC	1420	10400	22000	165	330	175 KA
	109H3409	KSH23-2000A/1150VAC23BK_85	2000A	1150VAC	1540	9600	24000	170	340	115 KA
	109H3410	KSH23-2100A/1150VAC23BK_85	2100A	1150VAC	1760	11000	25000	175	350	111 KA
	109H3411	KSH23-2200A/1100VAC23BK_85	2200A	1100VAC	2120	12400	27000	175	350	220 KA
	109H3412	KSH23-2500A/1100VAC23BK_85	2500A	1100VAC	2520	14500	30000	210	420	220 KA
	109H3413	KSH23-2800A/1000VAC23BK_85	2800A	1000VAC	3440	17200	34000	220	440	220 KA
	109H3414	KSH23-3100A/850VAC23BK_85	3100A	850VAC	5080	21500	42000	245	490	220 KA
	109H3418	KSH23-3600A/700VAC23BK_85	3600A	850VAC	7020	29850	49000	260	520	235 KA
	109H3416	KSH23-4000A/800VAC23BK_85	4000A	800VAC	8400	33600	53000	280	560	212 KA
109H3418	KSH23-4400A/700VAC23BK_85	4400A	800VAC	11000	43900	62000	300	600	212 KA	
109H3418	KSH23-4800A/700VAC23BK_85	4800A	700VAC	15800	54300	74000	310	620	230 KA	

Provide state of the art protection for high power semiconductors such as diodes, thyristors, GTO, IGCT' and IGBT.

为二极管、晶闸管、GTO、IGCT 和 IGBT 等大功率半导体提供最先进的保护。

Main Characteristics 主要技术参数 电压Voltage:800VAC~1500VAC 电流: from 630A to 4400A 类别: aR

They have pure silver fuse elements embedded in solidified sand which provides optimized I²t and high interrupting rating. All contact surfaces are plated and all hardware nonmagnetic. 99.99%纯银熔体, 高强度石英砂、低 I²t、接触表面均镀有电镀, 所有硬件均为非磁性材料。

All fuses are standard with a low voltage blown fuse indicator. This indicator can operate a micro-switch which is easily mounted directly onto the fuse in service.

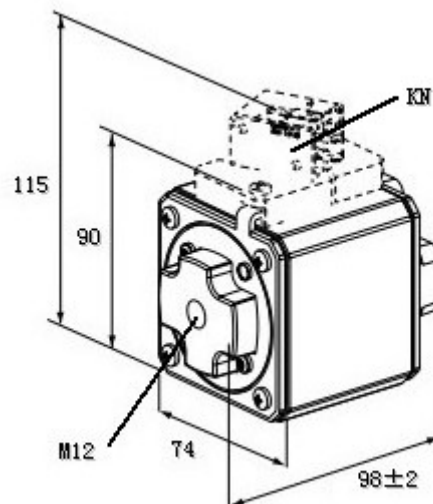
熔断器均采用低压熔断器指示器。指示器可以操作微型开关, 直接安装在熔断器上。指示器有 KN 和 KE 两种位置, 任选一种。

APPLICATIONS 应用: Protection of large rectifiers, inverters, static transfer switch, AC & DC drives and UPS systems. 保护大型整流器, 逆变器, 静电转移开关, 交流和直流驱动器和 UPS 系统。

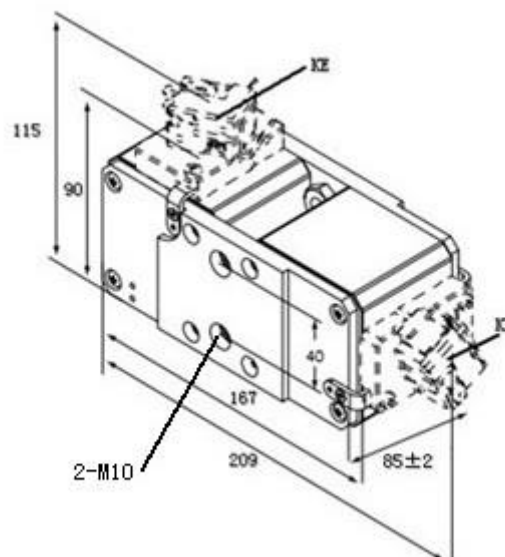
IEC 269-4 compliance for fuses for worldwide semiconductor applications 执行 IEC269.4 半导体保护熔断器标准。

Cooling method 熔断器冷却方式: Natural cooling 自然冷却、Forced air cooling 强迫风冷(风速 6m/s)、Single Water Cooling 单面水冷、Double Water Cooling 双面水冷。

Dimensions(mm) 安装示意图: size3-6



Dimensions(mm): 安装示意图 size: 2-3-4



Main Characteristics 主要技术参数 电压 Voltage: 950VAC ~ 1800VAC 电流: from 525A to 4200A 类别: aR

Size	Catalog Numbers	Designation	Ampere 电流	Voltage 电压	Pre-arc ing 弧前 I ² t	Total I ² t @熔断	I@ 10ms	Watts Loss 功耗(W)		Breaking capacities
瓷管	订货号	型号规格	(A)	(V)	(KA ² S)	(KA ² S)	(A)	0.8In	In	分断能力
3-7	109H3301	KSP3-525A/1800VAC3BKN118	525A	1800VAC	66	510	4600	71	142	115 KA
	109H3302	KSP3-575A/1800VAC3BKN118	575A	1800VAC	84	650	5200	74	148	115 KA
	109H3303	KSP3-600A/1800VAC3BKN118	600A	1800VAC	95	740	5500	76	152	115 KA
	109H3304	KSP3-630A/1800VAC3BKN118	630A	1800VAC	110	850	6000	79	157	115 KA
	109H3305	KSP3-700A/1800VAC3BKN118	700A	1800VAC	158	1225	7150	83	165	115 KA
	109H3306	KSP3-750A/1800VAC3BKN118	750A	1800VAC	186	1438	7700	86	171	115 KA
	109H3307	KSP3-850A/1800VAC3BKN118	850A	1800VAC	280	2200	10000	90	180	115 KA
	109H3308	KSP3-900A/1700VAC3BKN118	900A	1700VAC	315	2200	10750	100	200	115 KA
	109H3309	KSP3-950A/1700VAC3BKN118	950A	1700VAC	355	2510	12000	103	205	115 KA
	109H3310	KSP3-1000A/1700VAC3BKN118	1000A	1700VAC	440	3100	12000	105	210	115 KA
	109H3311	KSP3-1100A/1400VAC3BKN118	1100A	1400VAC	680	3700	14800	105	210	115 KA
	109H3312	KSP3-1250A/1400VAC3BKN118	1250A	1400VAC	990	5500	18000	108	215	115 KA
	109H3313	KSP3-1400A/1200VAC3BKN118	1400A	1200VAC	1440	6500	21500	113	225	220 KA
	109H3314	KSP3-1500A/1200VAC3BKN118	1500A	1200VAC	1755	8000	24000	115	230	220 KA
	109H3315	KSP3-2000A/1100VAC3BKN118	2000A	1100VAC	2750	11300	30000	158	315	114 KA
	109H3316	KSP3-2100A/950VAC3BKN118	2100A	950VAC	3950	14000	35800	150	300	223 KA
2-3-6	109H3601	KSH23-1050A/1800VAC23BK_100	1050A	1800VAC	264	2040	9200	142	284	115 KA
	109H3602	KSH23-1150A/1800VAC23BK_100	1150A	1800VAC	336	2600	10400	148	296	115 KA
	109H3603	KSH23-1200A/1800VAC23BK_100	1200A	1800VAC	380	2960	11000	152	304	115 KA
	109H3604	KSH23-1250A/1800VAC23BK_100	1250A	1800VAC	440	3400	12000	157	314	115 KA
	109H3605	KSH23-1400A/1800VAC23BK_100	1400A	1800VAC	632	4900	14300	165	330	115 KA
	109H3606	KSH23-1500A/1800VAC23BK_100	1500A	1800AC	744	5750	15400	171	342	115 KA
	109H3607	KSH23-1700A/1800VAC23BK_100	1700A	1800AC	1120	8800	20000	180	360	115 KA
	109H3608	KSH23-1800A/1700VAC23BK_100	1800A	1700VAC	1260	8800	21500	200	400	115 KA
	109H3609	KSH23-1900A/1700VAC23BK_100	1900A	1700VAC	1420	10040	24000	205	410	115 KA
	109H3610	KSH23-2000A/1600VAC23BK_100	2000A	1600VAC	1760	11500	24000	210	420	115 KA
	109H3611	KSH23-2200A/1300VAC23BK_100	2200A	1300VAC	2720	13500	29600	210	420	115 KA
	109H3612	KSH23-2500A/1300VAC23BK_100	2500A	1300VAC	3960	20000	36000	215	430	115 KA
	109H3613	KSH23-2800A/1100VAC23BK_100	2800A	1100VAC	5760	23500	43000	225	450	220 KA
	109H3614	KSH23-3000A/1100VAC23BK_100	3000A	1100VAC	7020	29000	48000	230	460	220 KA
	109H3615	KSH23-4000A/1000VAC23BK_100	4000A	1000VAC	11000	41100	60000	315	630	235 KA
	109H3616	KSH23-4200A/950VAC23BK_100	4200A	950VAC	15800	56000	71600	300	600	222 KA

Provide state of the art protection for high power semiconductors such as diodes, thyristors, GTO, IGCT' and IGBT.

为二极管, 晶闸管, GTO, IGCT 和 IGBT 等大功率半导体提供最先进的保护。

Main Characteristics 主要技术参数 电压 Voltage: 950VAC ~ 1800VAC 电流: from 525A to 4200A 类别: aR

They have pure silver fuse elements embedded in solidified sand which provides optimized I²t and high interrupting rating. All contact surfaces are plated and all hardware nonmagnetic.

99.99%纯银熔体，高强度石英砂、低 I²t、接触表面均镀有电镀，所有硬件均为非磁性材料。

All fuses are standard with a low voltage blown fuse indicator. This indicator can operate a micro-switch which is easily mounted directly onto the fuse in service.

熔断器均采用低压熔断器指示器。指示器可以操作微型开关，直接安装在熔断器上。指示器有 KN 和 KE 两种位置，任选一种。

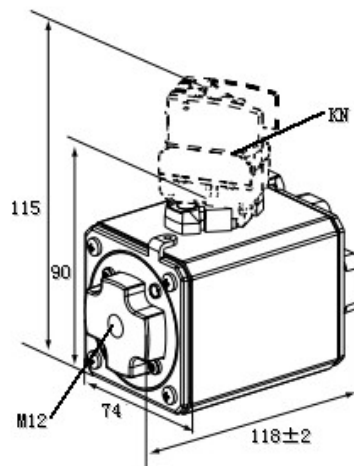
APPLICATIONS 应用: Protection of large rectifiers, inverters, static transfer switch, AC & DC drives and UPS systems.

保护大型整流器，逆变器，静电转移开关，交流和直流驱动器及 UPS 系统。

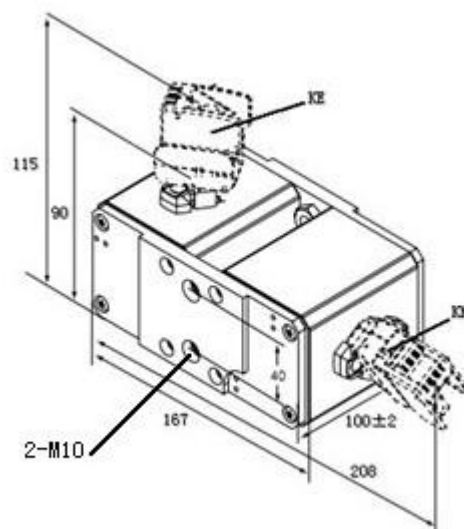
IEC 269-4 compliance for fuses for worldwide semiconductor applications 执行 IEC269.4 半导体保护熔断器标准。

Cooling method 熔断器冷却方式: Natural cooling 自然冷却、Forced air cooling 强迫风冷(风速 6m/s)、Single Water Cooling 单面水冷、Double Water Cooling 双面水冷。

Dimensions(mm) 安装示意图: size3-7



Dimensions(mm): 安装示意图 size: 2-3-6



Main Characteristics 主要技术参数 电压 Voltage: 1100VAC ~ 2500VAC 电流: from 630A to 3400A 类别: aR

Size	Catalog Numbers	Designation	Ampere 电流	Voltage 电压	Pre-arc ing 弧前 I ² t	Total I ² t @熔断	I@ 10ms	Watts Loss 功耗(W)		Breaking capacities
瓷管	订货号	型号规格	(A)	(V)	(KA ² S)	(KA ² S)	(A)	0.8I _n	I _n	分断能力
3-9	109H3501	KSP3-630A/2500VAC3BKN148	630A	2500VAC	207	1760	8500	80	160	171 KA
	109H3502	KSP3-750A/2200VAC3BKN148	750A	2200VAC	325	2330	10500	86	171	115 KA
	109H3503	KSP3-800A/2100VAC3BKN148	800A	2100VAC	407	2770	11500	90	180	113 KA
	109H3504	KSP3-1100A/1600VAC3BKN148	1100A	1600VAC	990	5100	18000	108	216	114 KA
	109H3505	KSP3-1300A/1500VAC3BKN148	1300A	1500VAC	1760	8550	24000	114	228	106 KA
	109H3506	KSP3-1400A/1300VAC3BKN148	1400A	1300VAC	2250	9900	27000	119	237	100 KA
	109H3507	KSP3-1450A/1250VAC3BKN148	1450A	1250VAC	2500	10500	28500	121	242	116 KA
	109H3508	KSP3-1500A/1200VAC3BKN148	1500A	1200VAC	2750	11200	30000	123	246	116 KA
	109H3509	KSP3-1700A/1100VAC3BKN148	1700A	1100VAC	3950	15600	36000	128	255	231 KA
2-3-8	109H3801	KSH23-800A/2500VAC23BK_130	800A	2500VAC	205	1760	8500	127	254	106 KA
	109H3802	KSH23-900A/2500VAC23BK_130	900A	2500VAC	290	2460	10000	137	274	106 KA
	109H3803	KSH23-1100A/2300VAC23BK_130	1100A	2300VAC	585	4400	14000	146	291	120 KA
	109H3804	KSH23-1200A/2200VAC23BK_130	1200A	2200VAC	760	5400	16000	150	299	115 KA
	109H3805	KSH23-1500A/2000VAC23BK_130	1500A	2000VAC	1300	8250	21000	181	361	115 KA
	109H3806	KSH23-3400A/1100VAC23BK_130	3400A	1100VAC	15800	62500	72000	257	513	231 KA

Provide state of the art protection for high power semiconductors such as diodes, thyristors, GTO, IGCT' and IGBT.

为二极管, 晶闸管, GTO, IGCT 和 IGBT 等大功率半导体提供最先进的保护。

They have pure silver fuse elements embedded in solidified sand which provides optimized I²t and high interrupting rating. All contact surfaces are plated and all hardware nonmagnetic. 99.99%纯银熔体, 高强度石英砂、低 I²t、接触表面均镀有电镀, 所有硬件均为非磁性材料。

All fuses are standard with a low voltage blown fuse indicator. This indicator can operate a micro-switch which is easily mounted directly onto the fuse in service.

熔断器均采用低压熔断器指示器。指示器可以操作微型开关, 直接安装在熔断器上。指示器有 KN 和 KE 两种位置, 任选一种。

APPLICATIONS 应用: Protection of large rectifiers, inverters, static transfer switch, AC & DC drives and UPS systems. 保护大型整流器, 逆变器, 静电转移开关, 交流和直流驱动器和 UPS 系统。

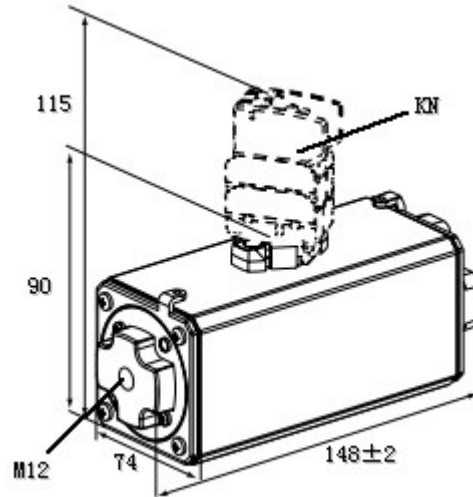
IEC 269-4 compliance for fuses for worldwide semiconductor applications 执行 IEC269.4 半导体保护熔断器标准。

Cooling method 熔断器冷却方式: Natural cooling 自然冷却、Forced air cooling 强迫风冷(风速 6m/s)、Single Water Cooling 单面水冷、Double Water Cooling 双面水冷。

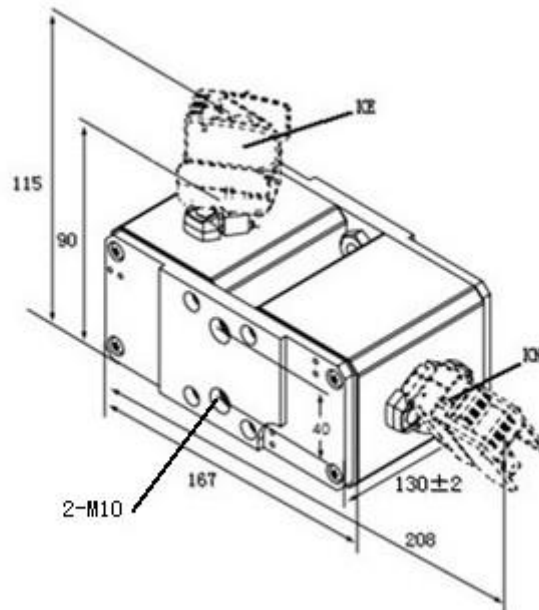


Main Characteristics 主要技术参数 电压Voltage: 1100VAC~2500VAC 电流: from 630A to 3400A 类别: aR

Dimensions(mm) 安装示意图: size3-9



Dimensions(mm) 安装示意图: size2*3-8



Main Characteristics 主要技术参数 电压 Voltage: 2300VAC ~ 3800VAC 电流: from 400A to 1400A 类别: aR

Size	Catalog Numbers	Designation	Ampere 电流	Voltage 电压	Pre-arc ing 弧前 I ² t	Total I ² t @熔断	I@ 10ms	Watts Loss 功耗(W)		Breaking capacities
瓷管	订货号	型号规格	(A)	(V)	(KA ² S)	(KA ² S)	(A)	0.8In	In	分断能力
3-11	109H3701	KSP3-400A/3800VAC3BKN186	400A	3800VAC	72.5	585	4850	85	164	134 KA
	109H3702	KSP3-500A/3500VAC3BKN186	500A	3500VAC	155	1100	7100	95	185	125 KA
	109H3703	KSP3-700A/2900VAC3BKN186	700A	2900VAC	440	2600	12000	100	200	100 KA
	109H3704	KSP3-800A/2800VAC3BKN186	800A	2800VAC	632	3700	14000	115	230	100 KA
	109H3705	KSP3-1000A/2300VAC3BKN186	1000A	2300VAC	1270	6300	20000	145	285	100 KA
2* 3-10	109H3901	KSH23-800A/3600VAC23BK_175	800A	3600VAC	290	2200	9700	165	325	128 KA
	109H3902	KSH23-950A/3300VAC23BK_175	950A	3300VAC	495	3400	12500	180	360	120 KA
	109H3903	KSH23-1400A/2900VAC23BK_175	1400A	2900VAC	1750	10000	24000	200	400	100 KA

Provide state of the art protection for high power semiconductors such as diodes, thyristors, GTO, IGCT' and IGBT。为二极管，晶闸管，GTO，IGCT 和 IGBT 等大功率半导体提供最先进的保护。

They have pure silver fuse elements embedded in solidified sand which provides optimized I²t and high interrupting rating. All contact surfaces are plated and all hardware nonmagnetic。99.99%纯银熔体，高强度石英砂、低 I²t、接触表面均镀有电镀，所有硬件均为非磁性材料。

All fuses are standard with a low voltage blown fuse indicator. This indicator can operate a micros-witch which is easily mounted directly onto the fuse in service。

熔断器均采用低压熔断器指示器。指示器可以操作微型开关，直接安装在熔断器上。指示器有 KN 和 KE 两种位置，任选一种。

APPLICATIONS 应用: Protection of large rectifiers, inverters, static transfer switch, AC & DC drives and UPS systems. 保护大型整流器，逆变器，静电转移开关，交流和直流驱动器和 UPS 系统。

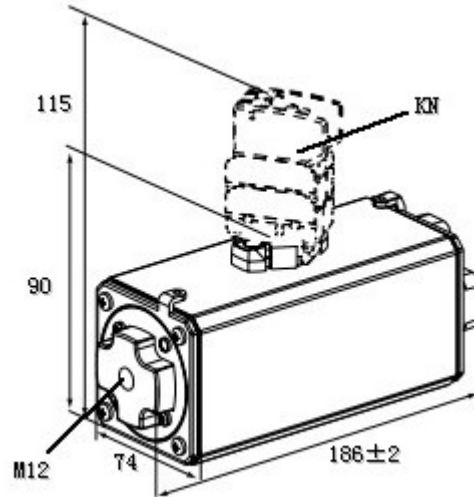
IEC 269-4 compliance for fuses for worldwide semiconductor applications 执行 IEC269.4 半导体保护熔断器标准。

Cooling method 熔断器冷却方式: Natural cooling 自然冷却、Forced air cooling 强迫风冷(风速 6m/s)、Single Water Cooling 单面水冷、Double Water Cooling 双面水冷。

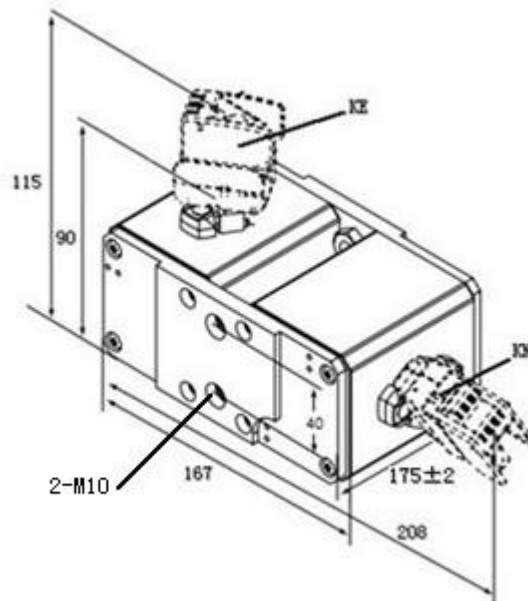


Main Characteristics 主要技术参数 电压Voltage: 2300VAC~3800VAC 电流: from 400A to 1400A 类别: aR

Dimensions(mm) 安装示意图: size3-11



Dimensions(mm) 安装示意图: size2-3-10



Main Characteristics 主要技术参数 电压 Voltage: 500VAC ~ 750VAC 电流: from 1200A to 5750A 类别: aR

Size	Catalog Numbers	Designation	Ampere 电流	Voltage 电压	Pre-arcing 弧前 I ² t	Total I ² t @熔断	I@ 10ms	Watts Loss 功耗(W)		Breaking capacities
瓷管	订货号	型号规格	(A)	(V)	(KA ² S)	(KA ² S)	(A)	0.8In	In	分断能力
5-0	109H5001	KSP54-1200A/750VAC 5BKN65	1200A	750VAC	110	617	5970	285	142	215 KA
	109H5002	KSP54-1350A/750VAC5BKN65	1350A	750VAC	158	890	7200	295	148	215 KA
	109H5003	KSP54-1600A/750VAC5BKN65	1600A	750VAC	290	1600	9850	320	160	215 KA
	109H5004	KSP54-1800A/750VAC5BKN65	1800A	750VAC	415	2350	11650	342	171	215 KA
	109H5005	KSP54-2000A/750VAC5BKN65	2000A	750VAC	580	3250	13750	350	175	215 KA
	109H5006	KSP54-2200A/750VAC5BKN65	2200A	750VAC	740	4100	15530	380	190	215 KA
	109H5007	KSP54-2400A/750VAC5BKN65	2400A	750VAC	990	5500	18000	395	200	215 KA
	109H5008	KSP54-2500A/700VAC5BKN65	2500A	700VAC	1100	5650	18900	405	203	190 KA
	109H5009	KSP54-2700A/700VAC5BKN65	2700A	700VAC	1350	6900	21000	420	210	190 KA
	109H5010	KSP54-2800A/700VAC5BKN65	2800A	700VAC	1510	7750	22200	430	215	190 KA
	109H5011	KSP54-3000A/700VAC5BKN65	3000A	700VAC	1865	9500	25000	440	220	190 KA
	109H5012	KSP54-3200A/660VAC5BKN65	3200A	660VAC	2220	10500	27000	460	230	215 KA
	109H5013	KSP54-3300A/660VAC5BKN65	3300A	660VAC	2550	12100	28800	465	233	215 KA
	109H5014	KSP54-3400A/660VAC5BKN65	3400A	660VAC	2730	13000	30000	475	238	215 KA
	109H5015	KSP54-3500A/660VAC5BKN65	3500A	660VAC	3000	14300	31500	480	240	215 KA
	109H5016	KSP54-3600A/600VAC5BKN65	3600A	600VAC	3200	13600	32500	485	243	225 KA
	109H5017	KSP54-3700A/600VAC5BKN65	3700A	600VAC	3500	14200	34000	495	248	225 KA
	109H5018	KSP54-4000A/600VAC5BKN65	4000A	600VAC	4350	18500	38000	510	255	225 KA
	109H5019	KSP54-4200A/600VAC5BKN65	4200A	600VAC	5000	21200	40500	525	263	225 KA
	109H5020	KSP54-4400A/550VAC5BKN65	4400A	550VAC	6170	24000	45000	540	270	227 KA
	109H5021	KSP54-4700A/550VAC5BKN65	4700A	550VAC	7530	29000	49500	550	275	227 KA
	109H5022	KSP54-5000A/550VAC5BKN65	5000A	550VAC	9650	37300	56000	570	285	227 KA
	109P5023	KSP54-5750A/500VAC5BKN65	5750A	500VAC	14000	49500	67500	650	325	230 KA

Provide state of the art protection for high power semiconductors such as diodes, thyristors, GTO, IGCT' and IGBT.

为二极管, 晶闸管, GTO, IGCT 和 IGBT 等大功率半导体提供最先进的保护。

They have pure silver fuse elements embedded in solidified sand which provides optimized I²t and high interrupting rating. All contact surfaces are plated and all hardware nonmagnetic.

99.99%纯银熔体, 高强度石英砂、低 I²t、接触表面均镀有电镀, 所有硬件均为非磁性材料。

All fuses are standard with a low voltage blown fuse indicator. This indicator can operate a micros-witch which is easily mounted directly onto the fuse in service.

熔断器均采用低压熔断器指示器。指示器可以操作微型开关, 直接安装在熔断器上。

APPLICATIONS 应用: Protection of large rectifiers, inverters, static transfer switch, AC & DC drives and UPS systems.

保护大型整流器, 逆变器, 静电转移开关, 交流和直流驱动器 and UPS 系统。

IEC 269-4 compliance for fuses for worldwide semiconductor applications 执行 IEC269.4 半导体保护熔断器标准。

Cooling method 熔断器冷却方式: Natural cooling 自然冷却、Forced air cooling 强迫风冷(风速 6m/s)、Single Water Cooling 单面水冷、Double Water Cooling 双面水冷。

Main Characteristics 主要技术参数 电压 Voltage: 500VAC ~ 700VAC 电流: from 2400A to 10000A 类别: aR

Size	Catalog Numbers	Designation	Ampere 电流	Voltage 电压	Pre-arcing 弧前 I ² t	Total I ² t @熔断	I@ 10ms	Watts Loss 功耗(W)		Breaking capacities
瓷管	订货号	型号规格	(A)	(V)	(KA ² S)	(KA ² S)	(A)	0.8I _n	I _n	分断能力
2-5-0	109H5201	KSH25-2400A/700VAC25BK_60	2400A	700VAC	440	2250	11940	570	270	215 KA
	109H5202	KSH25-2700A/700VAC25BK_60	2700A	700VAC	632	3250	14000	590	295	215 KA
	109H5203	KSH25-3200A/700VAC25BK_60	3200A	700VAC	1160	6000	19700	640	320	215 KA
	109H5204	KSH25-3600A/700VAC25BK_60	3600A	700VAC	1660	8500	23300	684	342	215 KA
	109H5205	KSH25-4000A/700VAC25BK_60	4000A	700VAC	2320	12000	27500	700	350	215 KA
	109H5206	KSH25-4400A/700VAC25BK_60	4400A	700VAC	2970	15200	31060	760	380	215 KA
	109H5207	KSH25-4800A/700VAC25BK_60	4800A	700VAC	3960	20000	36000	790	395	215 KA
	109H5208	KSH25-5000A/660VAC25BK_60	5000A	660VAC	4400	20800	37800	810	405	215 KA
	109H5209	KSH25-5400A/660VAC25BK_60	5400A	660VAC	5400	25600	42000	840	420	215 KA
	109H5210	KSH25-5600A/660VAC25BK_60	5600A	660VAC	6040	28700	44400	860	430	215 KA
	109H5211	KSH25-6000A/660VAC25BK_60	6000A	660VAC	7460	35600	50000	880	440	215 KA
	109H5212	KSH25-6400A/660VAC25BK_60	6400A	660VAC	8880	42000	54000	920	460	215 KA
	109H5213	KSH25-6600A/600VAC25BK_60	6600A	600VAC	10200	43200	57600	932	466	225 KA
	109H5214	KSH25-6800A/600VAC25BK_60	6800A	600VAC	10920	46000	60000	950	475	225 KA
	109H5215	KSH25-7000A/600VAC25BK_60	7000A	600VAC	12000	51400	63000	960	480	225 KA
	109H5216	KSH25-7200A/600VAC25BK_60	7200A	600VAC	12800	54400	65000	970	490	225 KA
	109H5217	KSH25-7400A/600VAC25BK_60	7400A	600VAC	14000	59000	68000	990	495	225 KA
	109H5218	KSH25-8000A/600VAC25BK_60	8000A	600VAC	17400	74000	76000	1020	510	225 KA
	109H5219	KSH25-8400A/600VAC25BK_60	8400A	600VAC	20000	85000	81000	1050	525	225 KA
	109H5220	KSH25-8500A/550VAC25BK_60	8500A	550VAC	24700	95700	90000	1150	575	228 KA
109H5221	KSH25-9000A/500VAC25BK_60	9000A	500VAC	38600	137400	112000	1200	600	230 KA	
109H5222	KSH25-10000A/500VAC25BK_60	10000A	500VAC	56000	198000	135000	1300	650	230 KA	

Provide state of the art protection for high power semiconductors such as diodes, thyristors, GTO, IGCT' and IGBT.

为二极管, 晶闸管, GTO, IGCT 和 IGBT 等大功率半导体提供最先进的保护。

They have pure silver fuse elements embedded in solidified sand which provides optimized I²t and high interrupting rating. All contact surfaces are plated and all hardware nonmagnetic.

99.99%纯银熔体, 高强度石英砂、低 I²t、接触表面均镀有电镀, 所有硬件均为非磁性材料。

All fuses are standard with a low voltage blown fuse indicator. This indicator can operate a micro-switch which is easily mounted directly onto the fuse in service.

熔断器均采用低压熔断器指示器。指示器可以操作微型开关, 直接安装在熔断器上。指示器有 KN 和 KE 两种位置, 任选一种。

APPLICATIONS 应用: Protection of large rectifiers, inverters, static transfer switch, AC & DC drives and UPS systems.

保护大型整流器, 逆变器, 静电转移开关, 交流和直流驱动器和 UPS 系统。

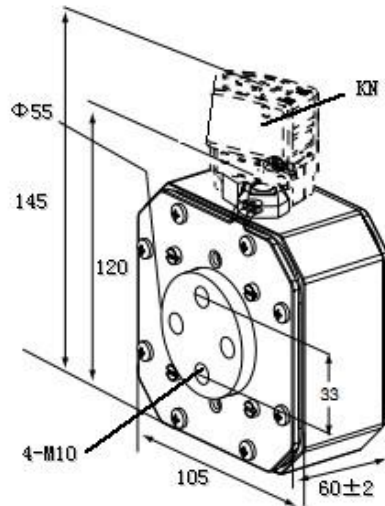
IEC 269-4 compliance for fuses for worldwide semiconductor applications

执行 IEC269.4 半导体保护熔断器标准。

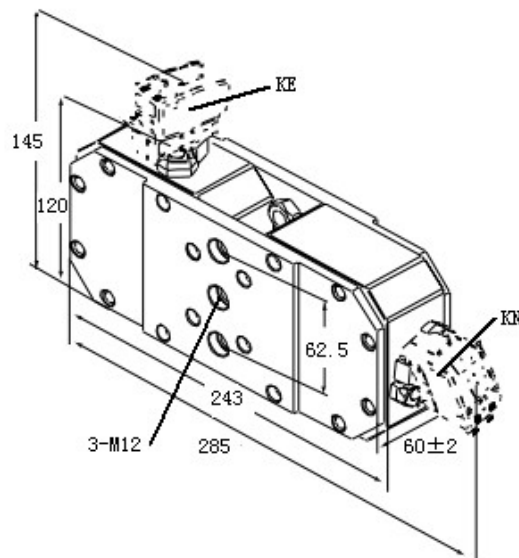
Cooling method 熔断器冷却方式: Natural cooling 自然冷却、Forced air cooling 强迫风冷(风速 6m/s)、Single Water Cooling 单面水冷、Double Water Cooling 双面水冷。

Main Characteristics 主要技术参数 电压 Voltage: 500VAC ~ 750VAC 电流: from 1200A to 10000A 类别: aR

Dimensions(mm) 安装示意图: size5-0



Dimensions(mm) 安装示意图: size2-5-0



Main Characteristics 主要技术参数 电压 Voltage: 750VAC ~ 1250VAC 电流: from 1400A to 4200A 类别: aR

Size	Catalog Numbers	Designation	Ampere 电流	Voltage 电压	Pre-arcing 弧前 I ² t	Total I ² t @熔断	I@ 10ms	Watts Loss 功耗(W)		Breaking capacities
瓷管	订货号	型号规格	(A)	(V)	(KA ² S)	(KA ² S)	(A)	0.8I _n	I _n	分断能力
5-5	109H5101	KSP52-1400A/1250VAC5BKN98	1400A	1250VAC	635	4250	15000	143	285	112 KA
	109H5102	KSP52-1500A/1250VAC5BKN98	1500A	1250VAC	740	4960	16000	147	293	112 KA
	109H5103	KSP52-1700A/1250VAC5BKN98	1700A	1250VAC	990	6600	18000	150	300	112 KA
	109H5104	KSP52-1800A/1150VAC5BKN98	1800A	1150VAC	1050	6200	19000	160	320	115 KA
	109H5105	KSP52-1900A/1150VAC5BKN98	1900A	1150VAC	1250	7350	20000	165	330	115 KA
	109H5106	KSP52-2000A/1100VAC5BKN98	2000A	1100VAC	1530	8200	23000	170	340	115 KA
	109H5107	KSP52-2100A/1100VAC5BKN98	2100A	1100VAC	1750	9350	24000	173	345	115 KA
	109H5108	KSP52-2200A/1100VAC5BKN98	2200A	1100VAC	2035	11000	26000	175	350	115 KA
	109H5109	KSP52-2300A/1100VAC5BKN98	2300A	1100VAC	2270	12200	27500	180	360	115 KA
	109H5110	KSP52-2400A/1100VAC5BKN98	2400A	1100VAC	2610	14000	29500	183	365	115 KA
	109H5111	KSP52-2500A/1000VAC5BKN98	2500A	1000VAC	2970	14000	31000	190	380	230 KA
	109H5112	KSP52-2600A/1000VAC5BKN98	2600A	1000VAC	3320	15800	33000	195	390	230 KA
	109H5113	KSP52-2700A/1000VAC5BKN98	2700A	1000VAC	3700	17500	35000	198	395	230 KA
	109H5114	KSP52-2750A/1000VAC5BKN98	2750A	1000VAC	3950	19000	36000	198	395	230 KA
	109H5115	KSP52-2900A/900VAC5BKN98	2900A	900VAC	4650	20000	39000	200	400	210 KA
	109H5116	KSP52-3000A/900VAC5BKN98	3000A	900VAC	5185	22000	41500	200	400	210 KA
	109H5117	KSP52-3200A/900VAC5BKN98	3200A	900VAC	6170	26000	45000	210	420	210 KA
	109H5118	KSP52-3400A/800VAC5BKN98	3400A	800VAC	7530	28200	50000	215	430	220 KA
	109H5119	KSP52-3500A/800VAC5BKN98	3500A	800VAC	8100	30400	52000	218	435	220 KA
	109H5120	KSP52-3700A/800VAC5BKN98	3700A	800VAC	9650	36200	56000	220	440	220 KA
109H5121	KSP52-4000A/750VAC5BKN98	4000A	750VAC	12500	43000	65000	233	465	198 KA	
109H5122	KSP52-4200A/750VAC5BKN98	4200A	750VAC	14000	49500	67500	238	475	198 KA	

Provide state of the art protection for high power semiconductors such as diodes, thyristors, GTO, IGCT' and IGBT.

为二极管, 晶闸管, GTO, IGCT 和 IGBT 等大功率半导体提供最先进的保护。

They have pure silver fuse elements embedded in solidified sand which provides optimized I²t and high interrupting rating. All contact surfaces are plated and all hardware nonmagnetic.

99.99%纯银熔体, 高强度石英砂、低 I²t、接触表面均镀有电镀, 所有硬件均为非磁性材料。

All fuses are standard with a low voltage blown fuse indicator. This indicator can operate a micro-switch which is easily mounted directly onto the fuse in service.

熔断器均采用低压熔断器指示器。指示器可以操作微型开关, 直接安装在熔断器上。

APPLICATIONS 应用: Protection of large rectifiers, inverters, static transfer switch, AC & DC drives and UPS systems.

保护大型整流器, 逆变器, 静电转移开关, 交流和直流驱动器和 UPS 系统。

IEC 269-4 compliance for fuses for worldwide semiconductor applications 执行 IEC269.4 半导体保护熔断器标准。

Cooling method 熔断器冷却方式: Natural cooling 自然冷却、Forced air cooling 强迫风冷(风速 6m/s)、Single Water Cooling 单面水冷、Double Water Cooling 双面水冷。

Main Characteristics 主要技术参数 电压 Voltage: 700VAC ~ 1450VAC 电流: from 2000A to 8400A 类别: aR

Size	Catalog Numbers	Designation	Ampere 电流	Voltage 电压	Pre-arcing 弧前 I ² t	Total I ² t @熔断	I@ 10ms	Watts Loss 功耗(W)		Breaking capacities
瓷管	订货号	型号规格	(A)	(V)	(KA ² S)	(KA ² S)	(A)	0.8In	In	分断能力
2- 5-3	109H5401	KSH25-2000A/1450VAC25BK_85	2000A	1450VAC	990	6550	18500	210	420	154 KA
	109H5402	KSH25-2800A/1350VAC25BK_85	2800A	1350VAC	2860	17200	31000	243	485	175 KA
	109H5403	KSH25-3000A/1200VAC25BK_85	3000A	1200VAC	2960	18500	32000	293	586	115 KA
	109H5404	KSH25-3400A/1150VAC25BK_85	3400A	1150VAC	3960	23000	36000	300	600	115 KA
	109H5405	KSH25-3600A/1050VAC25BK_85	3600A	1050VAC	4200	21500	38000	320	640	190 KA
	109H5406	KSH25-3800A/1050VAC25BK_85	3800A	1050VAC	5000	25300	40000	330	660	190 KA
	109H5407	KSH25-4000A/1000VAC25BK_85	4000A	1000VAC	6120	29000	46000	340	680	240 KA
	109H5408	KSH25-4200A/1000VAC25BK_85	4200A	1000VAC	7000	33000	48000	345	690	240 KA
	109H5409	KSH25-4400A/1000VAC25BK_85	4400A	1000VAC	8150	38500	52000	355	710	240 KA
	109H5410	KSH25-4600A/1000VAC25BK_85	4600A	1000VAC	9000	43000	55000	360	720	235 KA
	109H5411	KSH25-4800A/1000VAC25BK_85	4800A	1000VAC	10440	49000	59000	365	730	240 KA
	109H5412	KSH25-5000A/1000VAC25BK_85	5000A	1000VAC	11880	56000	62000	380	760	240 KA
	109H5413	KSH25-5200A/1000VAC25BK_85	5200A	1000VAC	13280	63200	66000	390	780	240 KA
	109H5414	KSH25-5400A/1000VAC25BK_85	5400A	1000VAC	14800	70000	70000	390	780	240 KA
	109H5415	KSH25-5500A/1000VAC25BK_85	5500A	1000VAC	15800	75000	72000	395	790	240 KA
	109H5416	KSH25-5800A/850VAC25BK_85	5800A	850VAC	15800	74000	78000	400	800	220 KA
	109H5417	KSH25-6000A/850VAC25BK_85	6000A	850VAC	20740	83000	83000	400	800	220 KA
	109H5418	KSH25-6400A/850VAC25BK_85	6400A	850VAC	24700	98000	90000	420	840	220 KA
	109H5419	KSH25-6800A/800VAC25BK_85	6800A	800VAC	30120	113000	100000	430	860	215 KA
	109H5420	KSH25-7000A/800VAC25BK_85	7000A	800VAC	32500	121000	104000	435	870	215 KA
109H5421	KSH25-7400A/800VAC25BK_85	7400A	800VAC	38600	145000	112000	440	880	215 KA	
109H5422	KSH25-8000A/700VAC25BK_85	8000A	700VAC	50000	163300	130000	465	930	227 KA	
109H5423	KSH25-8400A/700VAC25BK_85	8400A	700VAC	56000	187500	135000	475	950	227 KA	

Provide state of the art protection for high power semiconductors such as diodes, thyristors, GTO, IGCT' and IGBT.

为二极管, 晶闸管, GTO, IGCT 和 IGBT 等大功率半导体提供最先进的保护。

They have pure silver fuse elements embedded in solidified sand which provides optimized I²t and high interrupting rating. All contact surfaces are plated and all hardware nonmagnetic.

99.99%纯银熔体, 高强度石英砂、低 I²t、接触表面均镀有电镀, 所有硬件均为非磁性材料。

All fuses are standard with a low voltage blown fuse indicator. This indicator can operate a micro-switch which is easily mounted directly onto the fuse in service.

熔断器均采用低压熔断器指示器。指示器可以操作微型开关, 直接安装在熔断器上。指示器有 KN 和 KE 两种位置, 任选一种。

APPLICATIONS 应用: Protection of large rectifiers, inverters, static transfer switch, AC & DC drives and UPS systems.

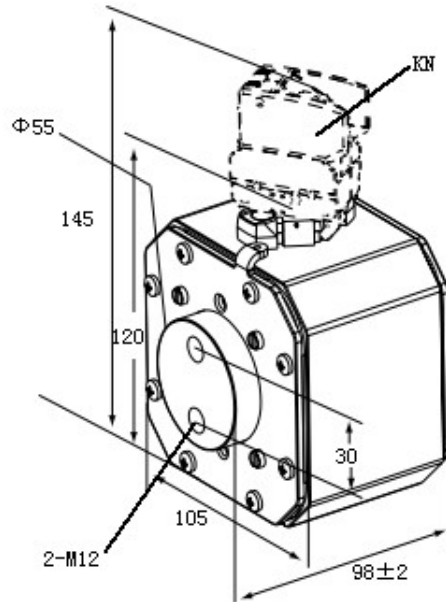
保护大型整流器, 逆变器, 静电转移开关, 交流和直流驱动器和 UPS 系统。

IEC 269-4 compliance for fuses for worldwide semiconductor applications 执行 IEC269.4 半导体保护熔断器标准。

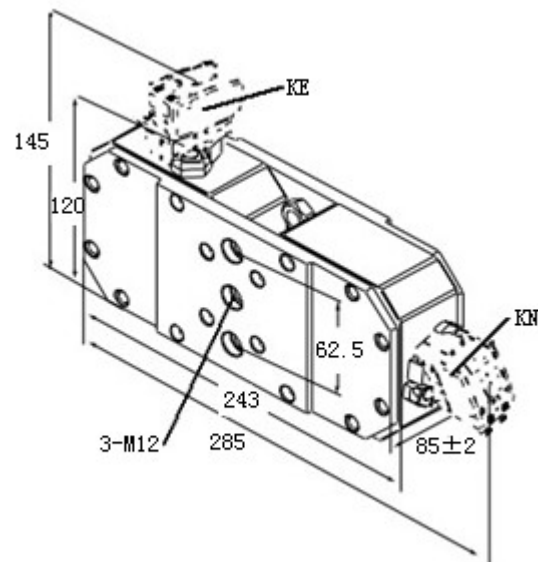
Cooling method 熔断器冷却方式: Natural cooling 自然冷却、Forced air cooling 强迫风冷(风速 6m/s)、Single Water Cooling 单面水冷、Double Water Cooling 双面水冷。

Main Characteristics 主要技术参数 电压 Voltage: 700VAC ~ 1450VAC 电流: from 1400A to 8400A 类别: aR

Dimensions(mm) 安装示意图: size5-5



Dimensions(mm) 安装示意图: size2-5-3



Main Characteristics 主要技术参数 电压 Voltage: 950VAC ~ 1700VAC 电流: from 1400A to 7200A 类别: aR

Size	Catalog Numbers	Designation	Ampere 电流	Voltage 电压	Pre-arcing 弧前 I ² t	Total I ² t @熔断	I@ 10ms	Watts Loss 功耗(W)		Breaking capacities
瓷管	订货号	型号规格	(A)	(V)	(KA ² S)	(KA ² S)	(A)	0.8I _n	I _n	分断能力
5-7	109H5301	KSP52-1400A/1700VAC5BKN120	1400A	1700VAC	741	5100	16000	153	305	115 KA
	109H5302	KSP52-1500A/1700VAC5BKN120	1500A	1700VAC	891	6130	17000	155	310	115 KA
	109H5303	KSP52-1550A/1700VAC5BKN120	1550A	1700VAC	988	6800	18000	158	315	115 KA
	109H5304	KSP52-1700A/1450VAC5BKN120	1700A	1450VAC	1460	7800	22000	160	320	120 KA
	109H5305	KSP52-1900A/1450VAC5BKN120	1900A	1450VAC	1870	10000	25000	170	340	120 KA
	109H5306	KSP52-2000A/1300VAC5BKN120	2000A	1300VAC	2270	11000	28000	175	350	115 KA
	109H5307	KSP52-2100A/1300VAC5BKN120	2100A	1300VAC	2610	12500	30000	180	360	115 KA
	109H5308	KSP52-2300A/1250VAC5BKN120	2300A	1250VAC	3470	15600	34000	185	375	115 KA
	109H5309	KSP52-2400A/1200VAC5BKN120	2400A	1200VAC	4460	19000	38100	188	385	115 KA
	109H5310	KSP52-2750A/1100VAC5BKN120	2750A	1100VAC	6170	24000	45000	193	415	235 KA
	109H5311	KSP52-3000A/1050VAC5BKN120	3000A	1050VAC	7800	29000	51000	208	450	235 KA
	109H5312	KSP52-3200A/1050VAC5BKN120	3200A	1050VAC	9640	35850	56000	225	500	235 KA
109H5313	KSP52-3600A/950VAC5BKN120	3600A	950VAC	13900	47300	67500	270	540	235 KA	
2-5-5	109H5601	KSH25-2800A/1550VAC25BK_105	2800A	1550VAC	2965	17800	32000	305	610	115 KA
	109H5602	KSH25-3000A/1550VAC25BK_105	3000A	1550VAC	3565	21400	34000	310	620	115 KA
	109H5603	KSH25-3100A/1550VAC25BK_105	3100A	1550VAC	4000	23700	36000	315	630	115 KA
	109H5604	KSH25-3400A/1350VAC25BK_105	3400A	1350VAC	5840	29000	44000	320	640	215 KA
	109H5605	KSH25-3800A/1350VAC25BK_105	3800A	1350VAC	7500	37300	50000	340	680	215 KA
	109H5606	KSH25-4000A/1250VAC25BK_105	4000A	1250VAC	9080	41000	56000	350	700	215 KA
	109H5607	KSH25-4200A/1250VAC25BK_105	4200A	1250VAC	10440	47000	60000	360	720	215 KA
	109H5608	KSH25-4400A/1200VAC25BK_105	4400A	1200VAC	12100	51500	63000	370	740	220 KA
	109H5609	KSH25-4600A/1150VAC25BK_105	4600A	1150VAC	13880	56500	68000	375	750	115 KA
	109H5610	KSH25-4800A/1100VAC25BK_105	4800A	1100VAC	17840	69000	76200	385	770	230 KA
	109H5611	KSH25-5500A/1050VAC25BK_105	5500A	1050VAC	24700	91800	90000	415	830	235 KA
	109H5612	KSH25-6000A/1050VAC25BK_105	6000A	1050VAC	31200	116200	102000	450	900	235 KA
109H5613	KSH25-6400A/1050VAC25BK_105	6400A	1050VAC	38600	143500	112000	500	1000	235 KA	
109H5614	KSH25-7200A/950VAC25BK_105	7200A	950VAC	55600	189200	135000	540	1080	235 KA	

Provide state of the art protection for high power semiconductors such as diodes, thyristors, GTO, IGCT and IGBT. 为二极管, 晶闸管, GTO, IGCT 和 IGBT 等大功率半导体提供最先进的保护。

They have pure silver fuse elements embedded in solidified sand which provides optimized I²t and high interrupting rating. All contact surfaces are plated and all hardware nonmagnetic. 99.99%纯银熔体, 高强度石英砂、低 I²t、接触表面均镀有电镀所有硬件均为非磁性材料。

All fuses are standard with a low voltage blown fuse indicator. This indicator can operate a micro-switch which is easily mounted directly onto the fuse in service.

熔断器均采用低压熔断器指示器。指示器可以操作微型开关, 直接安装在熔断器上。指示器有 KN 和 KE 两种位置, 任选一种。

Main Characteristics 主要技术参数 电压 Voltage: 950VAC ~ 1700VAC 电流: from 1400A to 7200A 类别: aR

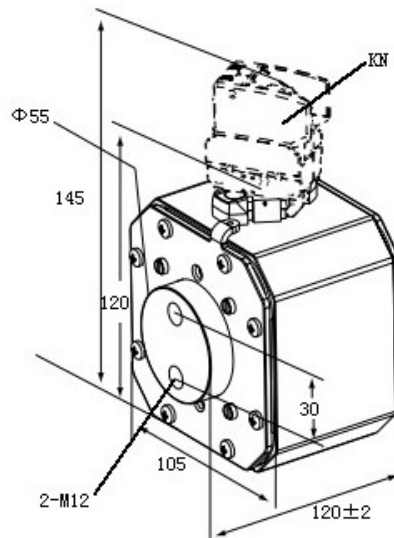
APPLICATIONS 应用: Protection of large rectifiers, inverters, static transfer switch, AC & DC drives and UPS systems.

保护大型整流器, 逆变器, 静电转移开关, 交流和直流驱动器 和 UPS 系统。

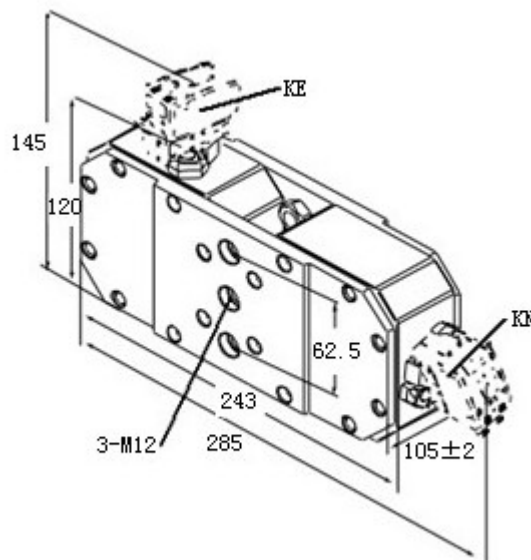
IEC 269-4 compliance for fuses for worldwide semiconductor applications 执行 IEC269.4 半导体保护熔断器标准。

Cooling method 熔断器冷却方式: Natural cooling 自然冷却、Forced air cooling 强迫风冷(风速 6m/s)、Single Water Cooling 单面水冷、Double Water Cooling 双面水冷。

Dimensions(mm) 安装示意图: size5-7



Dimensions(mm) 安装示意图: size2-5-5



Main Characteristics 主要技术参数 电压 Voltage: 1000VAC ~ 2500VAC 电流: from 700A to 5800A 类别: aR

Size	Catalog Numbers	Designation	Ampere 电流	Voltage 电压	Pre-arcing 弧前 I ² t	Total I ² t @熔断	I@ 10ms	Watts Loss 功耗(W)		Breaking capacities
瓷管	订货号	型号规格	(A)	(V)	(KA ² S)	(KA ² S)	(A)	0.8I _n	I _n	分断能力
5-9	109H5501	KSP52-700A/2500VAC5BKN148	700A	2500VAC	200	1700	8100	101	201	106 KA
	109H5502	KSP52-850A/2400VAC5BKN148	850A	2400VAC	350	2850	11000	113	225	106 KA
	109H5503	KSP52-1000A/2300VAC5BKN148	1000A	2300VAC	555	4000	13500	140	265	115 KA
	109H5504	KSP52-1400A/2200VAC5BKN148	1400A	2200VAC	1750	11000	23700	145	290	115 KA
	109H5505	KSP52-1600A/2000VAC5BKN148	1600A	2000VAC	2075	12600	26000	188	375	170 KA
	109H5506	KSP52-2700A/1200VAC5BKN148	2700A	1200VAC	9650	39000	56000	213	425	120 KA
	109H5507	KSP52-2900A/1100VAC5BKN148	2900A	1100VAC	14200	55000	68000	230	455	230 KA
2- 5-8	109H5801	KSH25-1600A/2200VAC25BK_134	1600A	2200VAC	1300	9300	21000	208	415	115 KA
	109H5802	KSH25-4100A/1600VAC25BK_134	4100A	1600VAC	17500	89000	76000	375	750	235 KA
	109H5803	KSH25-5400A/1100VAC25BK_134	5400A	1100VAC	40000	154000	113000	430	850	230 KA
	109H5804	KSH25-5800A/1000VAC25BK_134	5800A	1000VAC	56500	210000	136000	440	870	230 KA

Provide state of the art protection for high power semiconductors such as diodes, thyristors, GTO, IGCT' and IGBT.

为二极管, 晶闸管, GTO, IGCT 和 IGBT 等大功率半导体提供最先进的保护。

They have pure silver fuse elements embedded in solidified sand which provides optimized I²t and high interrupting rating. All contact surfaces are plated and all hardware nonmagnetic.

99.99%纯银熔体, 高强度石英砂、低 I²t、接触表面均镀有电镀所有硬件均为非磁性材料。

All fuses are standard with a low voltage blown fuse indicator. This indicator can operate a micro-switch which is easily mounted directly onto the fuse in service.

熔断器均采用低压熔断器指示器。指示器可以操作微型开关, 直接安装在熔断器上。指示器有 KN 和 KE 两种位置, 任选一种。

APPLICATIONS 应用: Protection of large rectifiers, inverters, static transfer switch, AC & DC drives and UPS systems.

保护大型整流器, 逆变器, 静电转移开关, 交流和直流驱动器和 UPS 系统。

IEC 269-4 compliance for fuses for worldwide semiconductor applications

执行 IEC269.4 半导体保护熔断器标准。

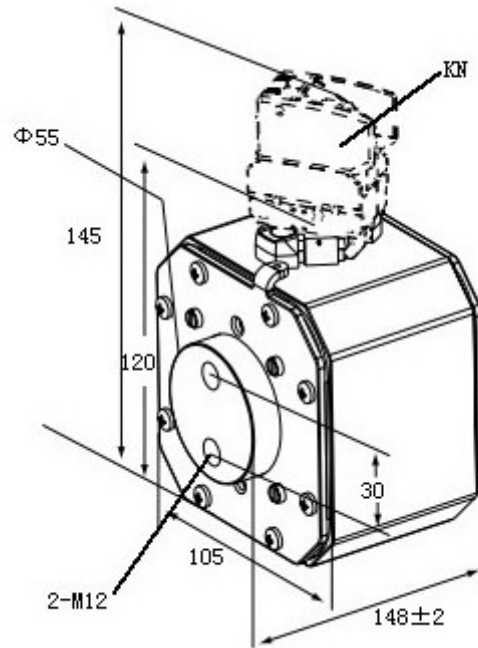
Cooling method 熔断器冷却方式:

Natural cooling 自然冷却、Forced air cooling 强迫风冷(风速 6m/s)、Single Water Cooling 单面水冷、Double Water Cooling 双面水冷。

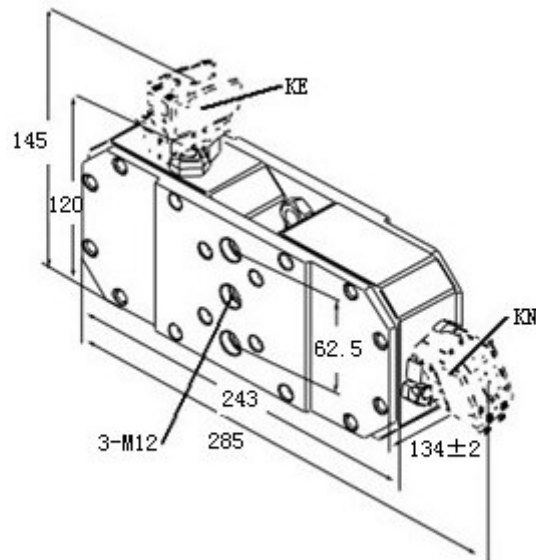


Main Characteristics 主要技术参数 电压 Voltage: 1000VAC ~ 2500VAC 电流: from 700A to 5800A 类别: aR

Dimensions(mm) 安装示意图: size5-9



Dimensions(mm) 安装示意图: size2-5-8



Main Characteristics 主要技术参数 电压 Voltage: 2300VAC ~ 3300VAC 电流: from 630A to 2000A 类别: aR

Size	Catalog Numbers	Designation	Ampere 电流	Voltage 电压	Pre-arcing 弧前 I ² t	Total I ² t @熔断	I@ 10ms	Watts Loss 功耗(W)		Breaking capacities
瓷管	订货号	型号规格	(A)	(V)	(KA ² S)	(KA ² S)	(A)	0.8In	In	分断能力
5-11	109H5701	KSP52-630A/3300VAC5BKE187	630A	3300VAC	268	1950	9300	106	212	114 KA
	109H5702	KSP52-850A/3000VAC5BKE187	850A	3000VAC	650	4200	14500	121	241	105 KA
	109H5703	KSP52-1150A/2600VAC5BKE187	1150A	2600VAC	1543	8100	22000	135	270	110 KA
	109H5704	KSP52-1250A/2500VAC5BKE187	1250A	2500VAC	2077	17000	26000	154	307	105 KA
	109H5705	KSP52-1500A/2300VAC5BKE187	1500A	2300VAC	3472	15000	33000	185	370	98 KA
2-5-10	109H5901	KSH25-1250A/3300VAC25BK_173	1250A	3300VAC	1072	7700	18500	213	425	120 KA
	109H5902	KSH25-1350A/3200VAC25BK_173	1350A	3200VAC	1250	8700	20000	216	432	120 KA
	109H5903	KSH25-1500A/3100VAC25BK_173	1500A	3100VAC	1680	11000	23000	235	470	109 KA
	109H5904	KSH25-1700A/2900VAC25BK_173	1700A	2900VAC	2610	16000	29000	241	482	105 KA
	109H5905	KSH25-2000A/2800VAC25BK_173	2000A	2800VAC	4350	25000	37500	275	550	119 KA

Provide state of the art protection for high power semiconductors such as diodes, thyristors, GTO, IGCT' and IGBT.

为二极管, 晶闸管, GTO, IGCT 和 IGBT 等大功率半导体提供最先进的保护。

They have pure silver fuse elements embedded in solidified sand which provides optimized I²t and high interrupting rating. All contact surfaces are plated and all hardware nonmagnetic.

99.99%纯银熔体, 高强度石英砂、低 I²t、接触表面均镀有电镀所有硬件均为非磁性材料。

All fuses are standard with a low voltage blown fuse indicator. This indicator can operate a micro-switch which is easily mounted directly onto the fuse in service.

熔断器均采用低压熔断器指示器。指示器可以操作微型开关, 直接安装在熔断器上。指示器有 KN 和 KE 两种位置, 任选一种

APPLICATIONS 应用:

Protection of large rectifiers, inverters, static transfer switch, AC & DC drives and UPS systems.

保护大型整流器, 逆变器, 静电转移开关, 交流和直流驱动器 and UPS 系统。

IEC 269-4 compliance for fuses for worldwide semiconductor applications

执行 IEC269.4 半导体保护熔断器标准。

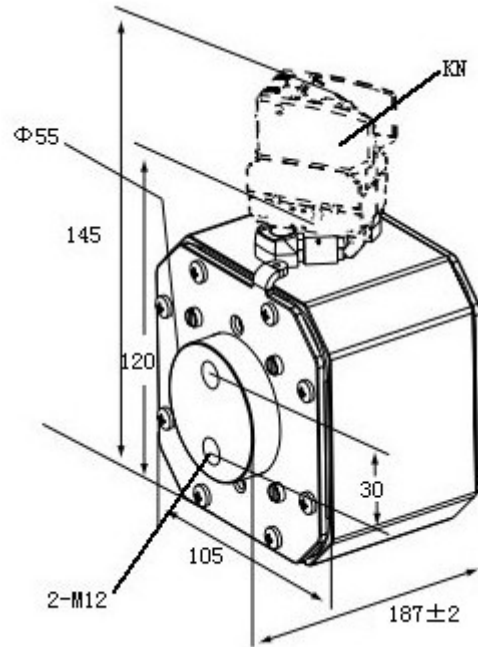
Cooling method 熔断器冷却方式:

Natural cooling 自然冷却、Forced air cooling 强迫风冷(风速 6m/s)、Single Water Cooling 单面水冷、Double Water Cooling 双面水冷。

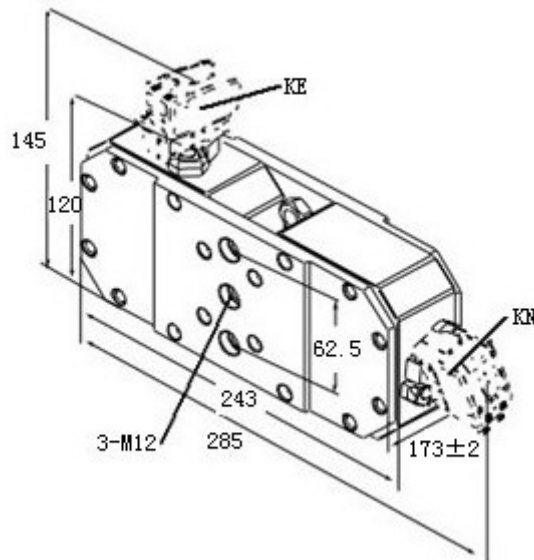


Main Characteristics 主要技术参数 电压 Voltage: 2300VAC ~ 3300VAC 电流: from 630A to 2000A 类别: aR

Dimensions(mm) 安装示意图: size5-11



Dimensions(mm) 安装示意图: size2-5-10



Main Characteristics 主要技术参数 电压等级:690V~700VAC 电流范围:from 2000A to 6300Aa

Size 瓷管 代号	Catalog Numbers 订货号	Designation Type 型号规格	Electrical Characteristics 电气特性				
		7BKN/85-中部微动指示 Indicator for Micro	Ampere 电流 (A)	Voltage 电压(V)	Pre-arcing 弧前 I ² t(A ² S)	Total 熔断 I ² t @690V(A ² S)	Watts Loss In 功耗(W)
7BKN/85	109M8050	KSP75-2000A/690VAC7BKN/85	2000A	690VAC	500000	2550000	395
	109M8051	KSP75-2500A/690VAC7BKN/85	2500A	690VAC	1000000	5100000	435
	109M8052	KSP75-3000A/690VAC7BKN/85	3000A	690VAC	1750000	8900000	470
	109M8053	KSP75-3500A/690VAC7BKN/85	3500A	690VAC	2800000	14500000	505
	109M8054	KSP75-4000A/690VAC7BKN/85	4000A	690VAC	4250000	22000000	535
	109M8055	KSP75-4500A/690VAC7BKN/85	4500A	690VAC	6150000	31500000	565
	109M8056	KSP75-5000A/690VAC7BKN/85	5000A	690VAC	8550000	43500000	595
	109M8057	KSP75-5500A/690VAC7BKN/85	5500A	690VAC	11500000	58500000	620
	109M8058	KSP75-6000A/690VAC7BKN/85	6000A	690VAC	15000000	76500000	645
	109M8059	KSP75-6300A/690VAC7BKN/85	6300A	690VAC	17500000	89000000	655

Interrupting rating 300kARMS Symmetrical (Estimated) 197 KA tested 开断电流 300KA, 不对称测试电流 197KA。Single Sided Cooling 单面水冷

690V	IEC ratings according to fuse terminal temperatures 额定电流根据熔断器端面的温度								
Rated Current	40℃	45℃	50℃	55℃	60℃	65℃	70℃	75℃	80℃
2000A	2600	2550	2450	2400	2350	2300	2250	2200	2150
2500A	3250	3150	3100	3000	2950	2850	2800	2750	2700
3000A	3950	3800	3700	3600	3500	3450	3350	3300	3250
3500A	4600	4450	4350	4200	4100	4000	3950	3850	3800
4000A	5250	5100	4950	4800	4700	4600	4500	4400	4350
4500A	5900	5750	5550	5400	5300	5150	5050	4950	4900
5000A	6550	6350	6200	6050	5900	5750	5650	5500	5450
5500A	7250	7000	6800	6650	6450	6300	6200	6100	6000
6000A	7900	7650	7450	7250	7050	6900	6750	6650	6500
6300A	8300	8050	7800	7600	7400	7250	7100	6950	6850

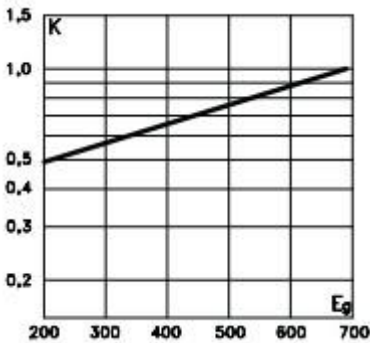
Double Sided Cooling 双面水冷

690V	IEC ratings according to fuse terminal temperatures 额定电流根据熔断器端面的温度								
Rated Current	40℃	45℃	50℃	55℃	60℃	65℃	70℃	75℃	80℃
2000A	3300	3150	3000	2850	2750	2600	2500	2400	2300
2500A	4150	3950	3750	3600	3400	3250	3100	3000	2900
3000A	5000	4750	4500	4300	4100	3900	3750	3600	3450
3500A	5800	5550	5250	5000	4800	4600	4400	4200	4050
4000A	6650	6350	6000	5750	5500	5250	5000	4800	4650
4500A	7500	7100	6800	6450	6150	5900	5650	5400	5200
5000A	8300	7900	7550	7200	6850	6550	6250	6000	5800
5500A	9150	8700	8300	7900	7550	7200	6900	6650	6400
6000A	10000	9500	9050	8600	8250	7850	7550	7250	6950
6300A	10500	10000	9500	9050	8650	8250	7900	7600	7300

Main Characteristics 主要技术参数 电压等级:690V~700VAC 电流范围:from 2000A to 6300AaR

Total clearing I^2t 熔断 I^2t

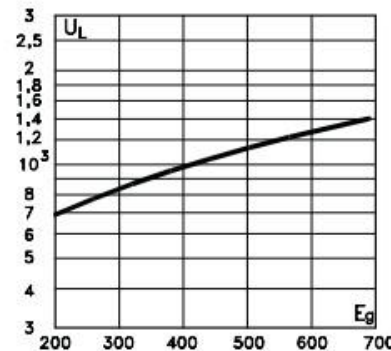
The total clearing I^2t at rated voltage and at power factor of 15% are given in the electrical characteristics. For other voltages, the clearing I^2t is found by multi-plying by correction factor, K, given as a function of applied working voltage, E_g , (RMS) 熔断 I^2t 在额定电压下给出, 其他电压下的熔断 I^2t 参照下图中的修正系数 K.



Arc Voltage 电弧电压

This curve gives the peak arc voltage, U_L , which may appear across the fuse during its operation as a function of the applied working voltage E_g , (RMS) at a power factor of 15%.

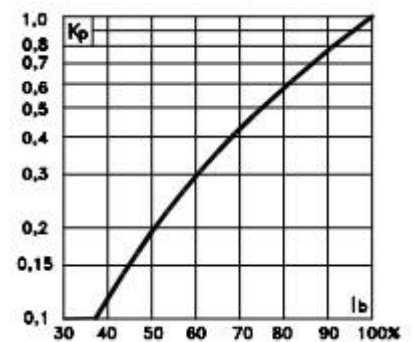
电弧电压和工作电压的关系曲线图:



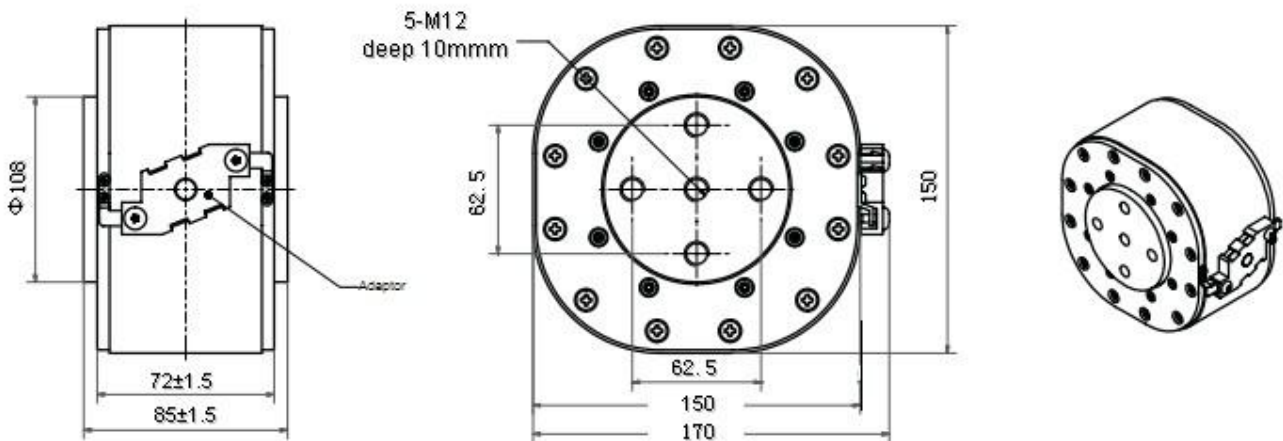
Power Losses 功耗

Watts loss at rated current is given in the electrical characteristics. The curve allows the calculation of the power losses at load currents lower than the rated current. The correction factor, K_p , is given as a function of the RMS load current, I_b , in % of the rated current.

不同电流下的功耗曲线修正图:



Dimensions(mm)安装示意图: 7BKN/85



Main Characteristics 主要技术参数 电压等级:690V~700VAC 电流范围:from 2000A to 6300AaR

Size 瓷管 代号	Catalog Numbers 订货号	Designation Type 型号规格	Electrical Characteristics 电气特性				
		7BKN/85-中部微动指示 Indicator for Micro	Ampere 电流 (A)	Voltage 电压(V)	Pre-arcing 弧前 I ² t(A ² S)	Total 熔断 I ² t @690V(A ² S)	Watts Loss In 功耗(W)
7SBKN/85	109M8031	KST75-2000A/690VAC7SBKN/85	2000A	690VAC	500000	2550000	395
	109M8032	KST75-2500A/690VAC7SBKN/85	2500A	690VAC	1000000	5100000	435
	109M8033	KST75-3000A/690VAC7SBKN/85	3000A	690VAC	1750000	8900000	470
	109M8034	KST75-3500A/690VAC7SBKN/85	3500A	690VAC	2800000	14500000	505
	109M8035	KST75-4000A/690VAC7SBKN/85	4000A	690VAC	4250000	22000000	535
	109M8036	KST75-4500A/690VAC7SBKN/85	4500A	690VAC	6150000	31500000	565
	109M8037	KST75-5000A/690VAC7SBKN/85	5000A	690VAC	8550000	43500000	595
	109M8038	KST75-5500A/690VAC7SBKN/85	5500A	690VAC	11500000	58500000	620
	109M8039	KST75-6000A/690VAC7SBKN/85	6000A	690VAC	15000000	76500000	645
	109M8040	KST75-6300A/690VAC7SBKN/85	6300A	690VAC	17500000	89000000	655

Interrupting rating 300kARMS Symmetrical (Estimated) 197 KA tested 开断电流 300KA, 不对称测试电流 197KA。Single Sided Cooling 单面水冷

690V	IEC ratings according to fuse terminal temperatures 额定电流根据熔断器端面的温度								
Rated Current	40℃	45℃	50℃	55℃	60℃	65℃	70℃	75℃	80℃
2000A	2600	2550	2450	2400	2350	2300	2250	2200	2150
2500A	3250	3150	3100	3000	2950	2850	2800	2750	2700
3000A	3950	3800	3700	3600	3500	3450	3350	3300	3250
3500A	4600	4450	4350	4200	4100	4000	3950	3850	3800
4000A	5250	5100	4950	4800	4700	4600	4500	4400	4350
4500A	5900	5750	5550	5400	5300	5150	5050	4950	4900
5000A	6550	6350	6200	6050	5900	5750	5650	5500	5450
5500A	7250	7000	6800	6650	6450	6300	6200	6100	6000
6000A	7900	7650	7450	7250	7050	6900	6750	6650	6500
6300A	8300	8050	7800	7600	7400	7250	7100	6950	6850

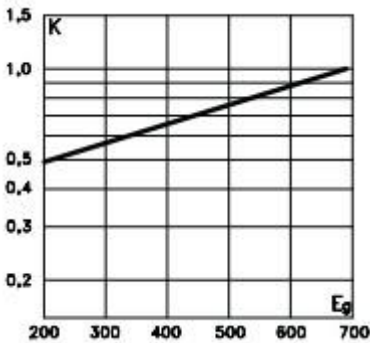
Double Sided Cooling 双面水冷

690V	IEC ratings according to fuse terminal temperatures 额定电流根据熔断器端面的温度								
Rated Current	40℃	45℃	50℃	55℃	60℃	65℃	70℃	75℃	80℃
2000A	3300	3150	3000	2850	2750	2600	2500	2400	2300
2500A	4150	3950	3750	3600	3400	3250	3100	3000	2900
3000A	5000	4750	4500	4300	4100	3900	3750	3600	3450
3500A	5800	5550	5250	5000	4800	4600	4400	4200	4050
4000A	6650	6350	6000	5750	5500	5250	5000	4800	4650
4500A	7500	7100	6800	6450	6150	5900	5650	5400	5200
5000A	8300	7900	7550	7200	6850	6550	6250	6000	5800
5500A	9150	8700	8300	7900	7550	7200	6900	6650	6400
6000A	10000	9500	9050	8600	8250	7850	7550	7250	6950
6300A	10500	10000	9500	9050	8650	8250	7900	7600	7300

Main Characteristics 主要技术参数 电压等级:690V~700VAC 电流范围:from 2000A to 6300AaR

Total clearing I^2t 熔断 I^2t

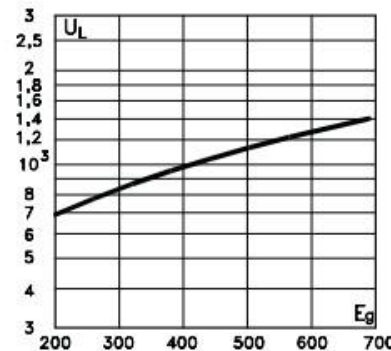
The total clearing I^2t at rated voltage and at power factor of 15% are given in the electrical characteristics. For other voltages, the clearing I^2t is found by multi-plying by correction factor, K, given as a function of applied working voltage, E_g , (RMS) 熔断 I^2t 在额定电压下给出, 其他电压下的熔断 I^2t 参照下图中的修正系数 K.



Arc Voltage 电弧电压

This curve gives the peak arc voltage, U_L , which may appear across the fuse during its operation as a function of the applied working voltage E_g , (RMS) at a power factor of 15%.

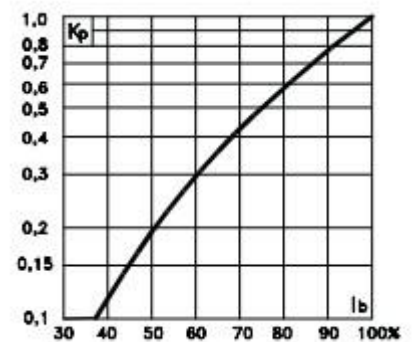
电弧电压和工作电压的关系曲线图:



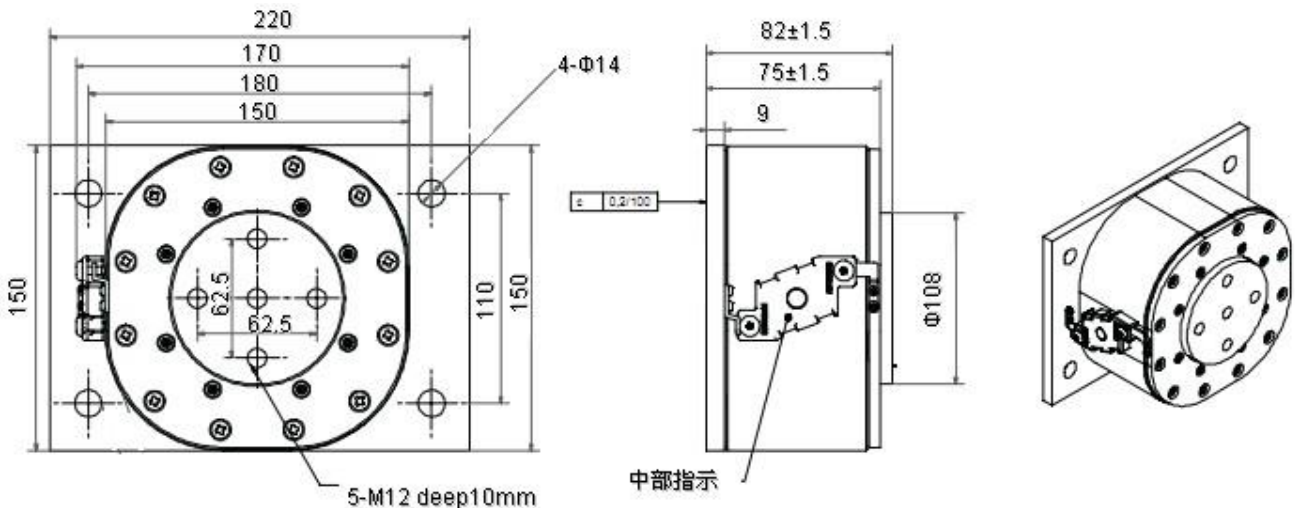
Power Losses 功耗

Watts loss at rated current is given in the electrical characteristics. The curve allows the calculation of the power losses at load currents lower than the rated current. The correction factor, K_p , is given as a function of the RMS load current, I_b , in % of the rated current.

不同电流下的功耗曲线修正图:



Dimensions(mm)安装示意图: 7SBKN/85



Main Characteristics 主要技术参数 电压等级:800V~900VAC 电流范围:from 2000A to 5500AaR

Size 瓷管 代号	Catalog Numbers 订货号	Designation Type 型号规格	Electrical Characteristics 电气特性				
		7BKN/85-中部微动指示 Indicator for Micro	Ampere 电流 (A)	Voltage 电压 (V)	Pre-arcing 弧前 I ² t(A ² S)	Total 熔断 I ² t @900V(A ² S)	Watts Loss In 功耗(W)
7BKN/100	109M8070	KSP75-2000A/900VAC7BKN/100	2000A	900VAC	780000	4150000	385
	109M8071	KSP75-2500A/900VAC7BKN/100	2500A	900VAC	1550000	8200000	425
	109M8072	KSP75-3000A/900VAC7BKN/100	3000A	900VAC	2700000	14500000	460
	109M8073	KSP75-3500A/900VAC7BKN/100	3500A	900VAC	4350000	23500000	495
	109M8074	KSP75-4000A/900VAC7BKN/100	4000A	900VAC	6600000	35000000	525
	109M8075	KSP75-4500A/900VAC7BKN/100	4500A	900VAC	9500000	50500000	555
	109M8076	KSP75-5000A/900VAC7BKN/100	5000A	900VAC	13000000	69500000	580
	109M8077	KSP75-5500A/900VAC7BKN/100	5500A	900VAC	17500000	93000000	610

Interrupting rating 300kARMS Symmetrical (Estimated) 197 KA tested 开断电流 300KA, 不对称测试电流 197KA。

Single Sided Cooling 单面水冷

900V	IEC ratings according to fuse terminal temperatures 额定电流根据熔断器端面的温度								
Rated Current	40℃	45℃	50℃	55℃	60℃	65℃	70℃	75℃	80℃
2000A	2400	2350	2300	2250	2250	2200	2150	2150	2100
2500A	3000	2950	2900	2850	2800	2750	2700	2650	2650
3000A	3650	3550	3500	3400	3350	3300	3250	3200	3150
3500A	4250	4150	4050	4000	3900	3850	3800	3750	3700
4000A	4850	4750	4650	4550	4500	4400	4350	4300	4200
4500A	5450	5350	5250	5150	5050	4950	4900	4800	4750
5000A	6050	5950	5800	5700	5600	5500	5450	5350	5300
5500A	6650	6550	6400	6300	6200	6050	6000	5900	5800

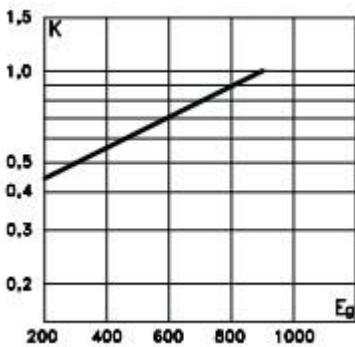
Double Sided Cooling 双面水冷

900V	IEC ratings according to fuse terminal temperatures 额定电流根据熔断器端面的温度								
Rated Current	40℃	45℃	50℃	55℃	60℃	65℃	70℃	75℃	80℃
2000A	2850	2750	2650	2550	2500	2400	2350	2300	2200
2500A	3550	3450	3300	3200	3100	3000	2950	2850	2800
3000A	4300	4150	4000	3850	3750	3650	3500	3450	3350
3500A	5000	4850	4650	4500	4350	4250	4100	4000	3900
4000A	5700	5500	5350	5150	5000	4850	4700	4600	4450
4500A	6450	6200	6000	5800	5600	5450	5300	5150	5050
5000A	7150	6900	6650	6450	6250	6050	5900	5750	5600
5500A	7850	7600	7350	7100	6900	6650	6500	6300	6150

Main Characteristics 主要技术参数 电压等级:800V~900VAC 电流范围:from 2000A to 5500AaR

Total clearing I^2t 熔断 I^2t

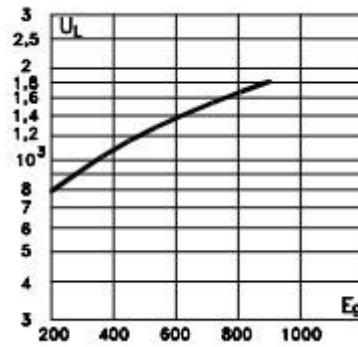
The total clearing I^2t at rated voltage and at power factor of 15% are given in the electrical characteristics. For other voltages, the clearing I^2t is found by multi-plying by correction factor, K, given as a function of applied working voltage, E_g , (RMS) 熔断 I^2t 在额定电压下给出, 其他电压下的熔断 I^2t 参照下图中的修正系数 K.



Arc Voltage 电弧电压

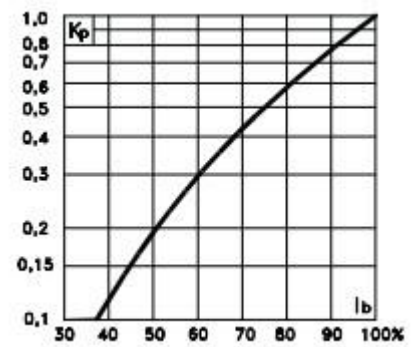
This curve gives the peak arc voltage, U_L , which may appear across the fuse during its operation as a function of the applied working voltage E_g , (RMS) at a power factor of 15%.

电弧电压和工作电压的关系曲线图:

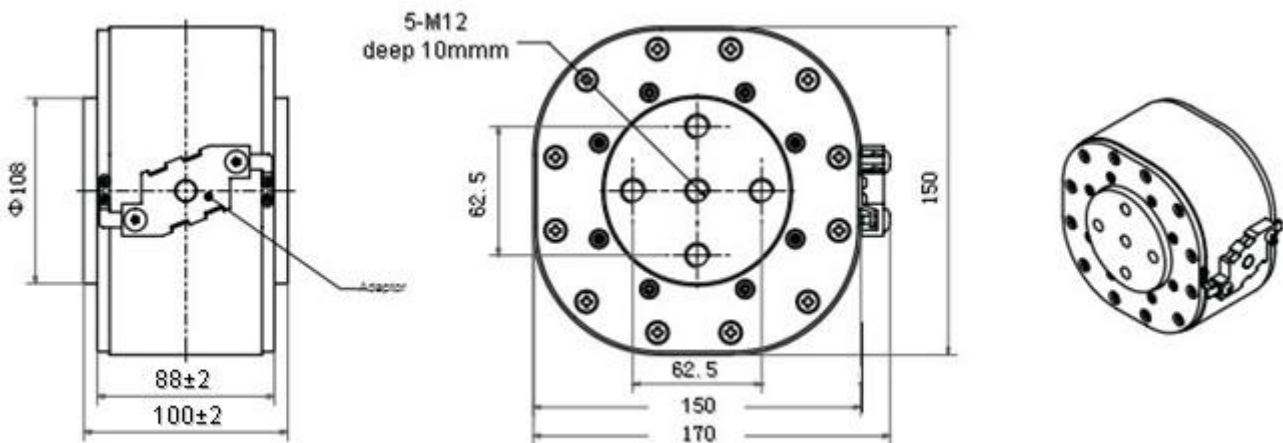


Power Losses 功耗

Watts loss at rated current is given in the electrical characteristics. The curve allows the calculation of the power losses at load currents lower than the rated current. The correction factor, K_p , is given as a function of the RMS load current, I_b , in % of the rated current. 不同电流下的功耗曲线修正图:



Dimensions(mm)安装示意图: 7BKN/100



Main Characteristics 主要技术参数 电压等级:800V~900VAC 电流范围:from 2000A to 5500AaR

Size 瓷管 代号	Catalog Numbers 订货号	Designation Type 型号规格	Electrical Characteristics 电气特性				
		7BKN/85-中部微动指示 Indicator for Micro	Ampere 电流 (A)	Voltage 电压(V)	Pre-arcing 弧前 I ² t(A ² S)	Total 熔断 I ² t @900V(A ² S)	Watts Loss In 功耗(W)
7SBKN/100	109M8041	KST75-2000A/900VAC7BKN/100	2000A	900VAC	780000	4150000	385
	109M8042	KST75-2500A/900VAC7BKN/100	2500A	900VAC	1550000	8200000	425
	109M8043	KST75-3000A/900VAC7BKN/100	3000A	900VAC	2700000	14500000	460
	109M8044	KST75-3500A/900VAC7BKN/100	3500A	900VAC	4350000	23500000	495
	109M8045	KST75-4000A/900VAC7BKN/100	4000A	900VAC	6600000	35000000	525
	109M8046	KST75-4500A/900VAC7BKN/100	4500A	900VAC	9500000	50500000	555
	109M8047	KST75-5000A/900VAC7BKN/100	5000A	900VAC	13000000	69500000	580
	109M8048	KST75-5500A/900VAC7BKN/100	5500A	900VAC	17500000	93000000	610

Interrupting rating 300kARMS Symmetrical (Estimated) 197 KA tested 开断电流 300KA, 不对称测试电流 197KA。

Single Sided Cooling 单面水冷

900V	IEC ratings according to fuse terminal temperatures 额定电流根据熔断器端面的温度								
Rated Current	40℃	45℃	50℃	55℃	60℃	65℃	70℃	75℃	80℃
2000A	2400	2350	2300	2250	2250	2200	2150	2150	2100
2500A	3000	2950	2900	2850	2800	2750	2700	2650	2650
3000A	3650	3550	3500	3400	3350	3300	3250	3200	3150
3500A	4250	4150	4050	4000	3900	3850	3800	3750	3700
4000A	4850	4750	4650	4550	4500	4400	4350	4300	4200
4500A	5450	5350	5250	5150	5050	4950	4900	4800	4750
5000A	6050	5950	5800	5700	5600	5500	5450	5350	5300
5500A	6650	6550	6400	6300	6200	6050	6000	5900	5800

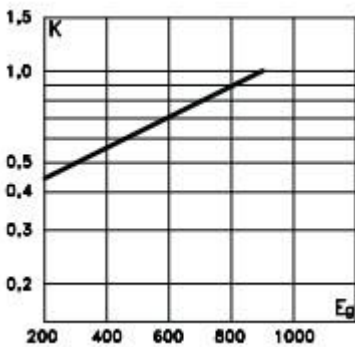
Double Sided Cooling 双面水冷

900V	IEC ratings according to fuse terminal temperatures 额定电流根据熔断器端面的温度								
Rated Current	40℃	45℃	50℃	55℃	60℃	65℃	70℃	75℃	80℃
2000A	2850	2750	2650	2550	2500	2400	2350	2300	2200
2500A	3550	3450	3300	3200	3100	3000	2950	2850	2800
3000A	4300	4150	4000	3850	3750	3650	3500	3450	3350
3500A	5000	4850	4650	4500	4350	4250	4100	4000	3900
4000A	5700	5500	5350	5150	5000	4850	4700	4600	4450
4500A	6450	6200	6000	5800	5600	5450	5300	5150	5050
5000A	7150	6900	6650	6450	6250	6050	5900	5750	5600
5500A	7850	7600	7350	7100	6900	6650	6500	6300	6150

Main Characteristics 主要技术参数 电压等级:800V~900VAC 电流范围:from 2000A to 5500AaR

Total clearing I^2t 熔断 I^2t

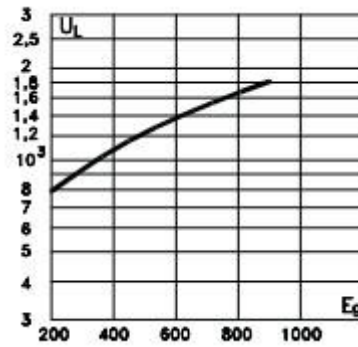
The total clearing I^2t at rated voltage and at power factor of 15% are given in the electrical characteristics. For other voltages, the clearing I^2t is found by multi-plying by correction factor, K, given as a function of applied working voltage, E_g , (RMS) 熔断 I^2t 在额定电压下给出, 其他电压下的熔断 I^2t 参照下图中的修正系数 K.



Arc Voltage 电弧电压

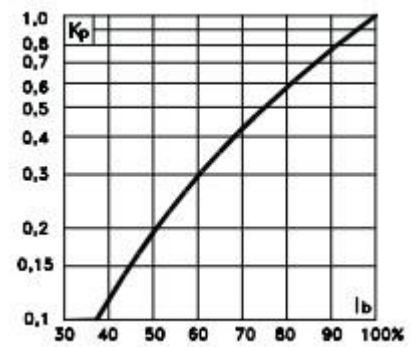
This curve gives the peak arc voltage, U_L , which may appear across the fuse during its operation as a function of the applied working voltage E_g , (RMS) at a power factor of 15%.

电弧电压和工作电压的关系曲线图:

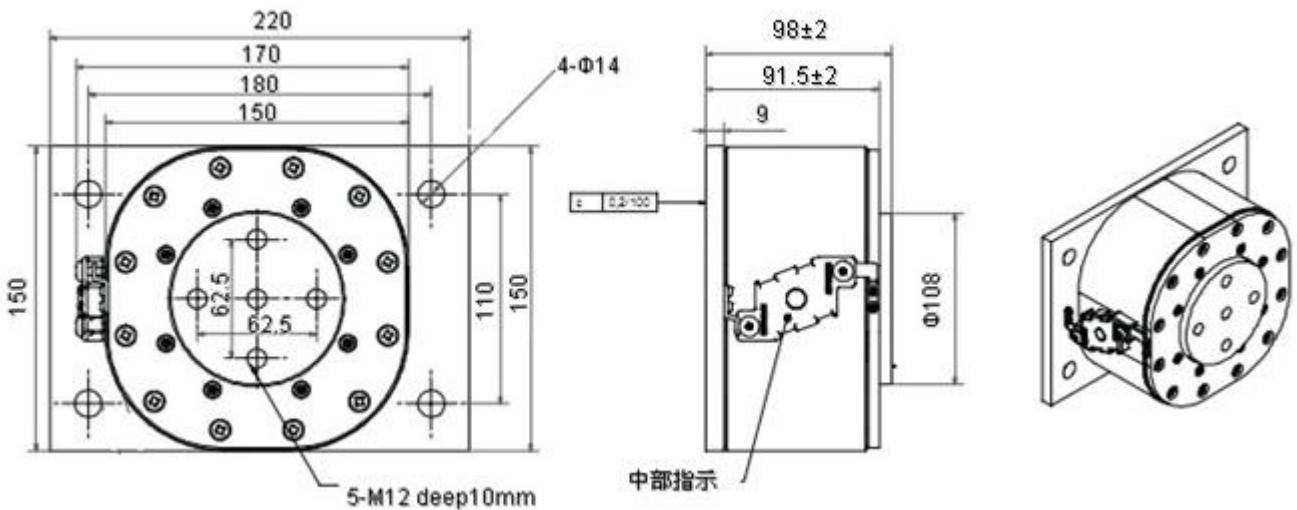


Power Losses 功耗

Watts loss at rated current is given in the electrical characteristics. The curve allows the calculation of the power losses at load currents lower than the rated current. The correction factor, K_p , is given as a function of the RMS load current, I_b , in % of the rated current. 不同电流下的功耗曲线修正图:



Dimensions(mm)安装示意图: 7SBKN/100



Main Characteristics 主要技术参数 电压等级:1000V~1100VAC 电流范围:from 2000A to 5000AaR

Size 瓷管 代号	Catalog Numbers 订货号	Designation Type 型号规格	Electrical Characteristics 电气特性				
		7BKN/85-中部微动指示 Indicator for Micro	Ampere 电流 (A)	Voltage 电压(V)	Pre-arcing 弧前 I ² t(A ² S)	Total 熔断 I ² t @1100V(A ² S)	Watts Loss In 功耗(W)
7BKN/115	109M8012	KSP75-2000A/1100VAC7BKN/115	2000A	1100VAC	1000000	5550000	405
	109M8013	KSP75-2500A/1100VAC7BKN/115	2500A	1100VAC	2000000	11000000	450
	109M8014	KSP75-3000A/1100VAC7BKN/115	3000A	1100VAC	3550000	19500000	485
	109M8015	KSP75-3500A/1100VAC7BKN/115	3500A	1100VAC	5750000	31000000	515
	109M8016	KSP75-4000A/1100VAC7BKN/115	4000A	1100VAC	8700000	4700 000	550
	109M8017	KSP75-4500A/1100VAC7BKN/115	4500A	1100VAC	12500000	67500000	580
	109M8018	KSP75-5000A/1100VAC7BKN/115	5000A	1100VAC	17000000	93000000	615

Interrupting rating 300kARMS Symmetrical (Estimated) 197 KA tested 开断电流 300KA, 不对称测试电流 197KA.

Single Sided Cooling 单面水冷

1100V	IEC ratings according to fuse terminal temperatures 额定电流根据熔断器端面的温度								
Rated Current	40°C	45°C	50°C	55°C	60°C	65°C	70°C	75°C	80°C
2000A	2400	2350	2300	2250	2250	2200	2150	2150	2100
2500A	3000	2950	2900	2850	2800	2750	2700	2650	2650
3000A	3650	3550	3500	3400	3350	3300	3250	3200	3150
3500A	4250	4150	4050	4000	3900	3850	3800	3750	3700
4000A	4850	4750	4650	4550	4500	4400	4350	4300	4200
4500A	5450	5350	5250	5150	5050	4950	4900	4800	4750
5000A	6050	5950	5800	5700	5600	5500	5450	5350	5300

Double Sided Cooling 双面水冷

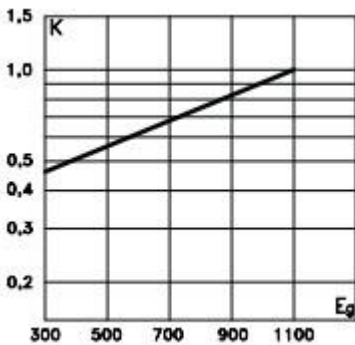
1100V	IEC ratings according to fuse terminal temperatures 额定电流根据熔断器端面的温度								
Rated Current	40°C	45°C	50°C	55°C	60°C	65°C	70°C	75°C	80°C
2000A	2850	2750	2650	2550	2500	2400	2350	2300	2200
2500A	3550	3450	3300	3200	3100	3000	2950	2850	2800
3000A	4300	4150	4000	3850	3750	3650	3500	3450	3350
3500A	5000	4850	4650	4500	4350	4250	4100	4000	3900
4000A	5700	5500	5350	5150	5000	4850	4700	4600	4450
4500A	6450	6200	6000	5800	5600	5450	5300	5150	5050
5000A	7150	6900	6650	6450	6250	6050	5900	5750	5600



Main Characteristics 主要技术参数 电压等级:1000V~1100VAC 电流范围:from 2000A to 5000AaR

Total clearing I^2t 熔断 I^2t

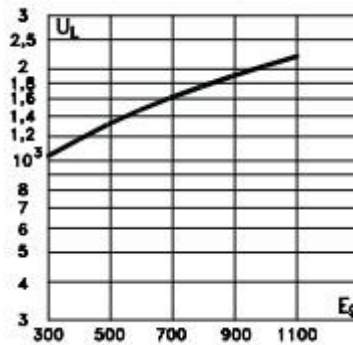
The total clearing I^2t at rated voltage and at power factor of 15% are given in the electrical characteristics. For other voltages, the clearing I^2t is found by multi-plying by correction factor, K, given as a function of applied working voltage, E_g , (RMS) 熔断 I^2t 在额定电压下给出, 其他电压下的熔断 I^2t 参照下图中的修正系数 K.



Arc Voltage 电弧电压

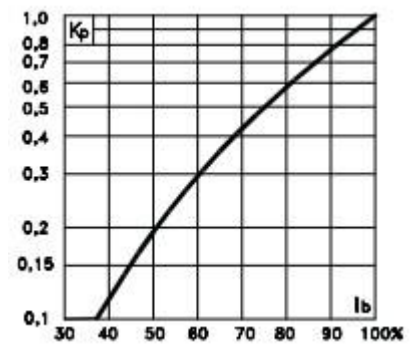
This curve gives the peak arc voltage, U_L , which may appear across the fuse during its operation as a function of the applied working voltage E_g , (RMS) at a power factor of 15%.

电弧电压和工作电压的关系曲线图:

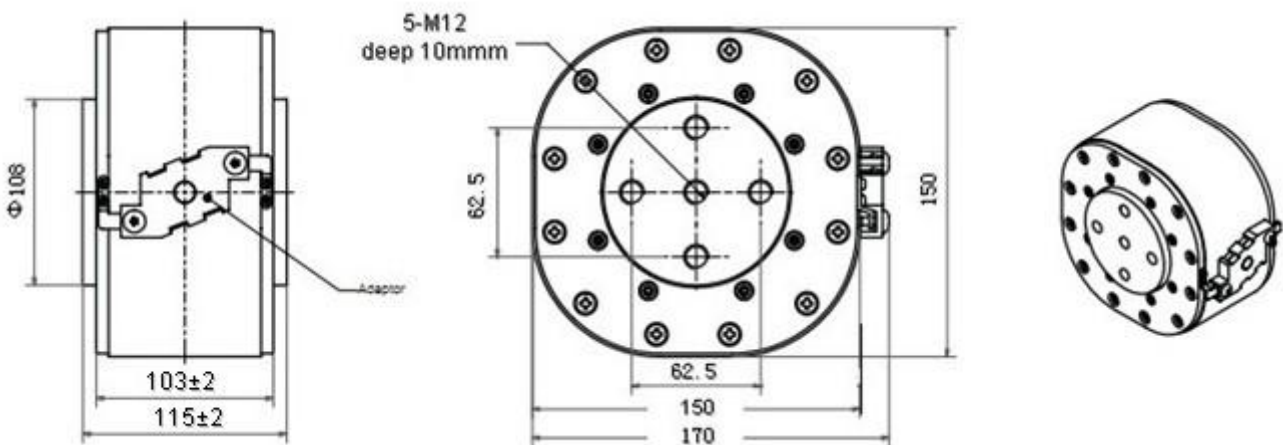


Power Losses 功耗

Watts loss at rated current is given in the electrical characteristics. The curve allows the calculation of the power losses at load currents lower than the rated current. The correction factor, K_p , is given as a function of the RMS load current, I_b , in % of the rated current. 不同电流下的功耗曲线修正图:



Dimensions(mm)安装示意图: 7BKN/115



Main Characteristics 主要技术参数 电压等级:1000V~1100VAC 电流范围:from 2000A to 5000AaR

Size 瓷管 代号	Catalog Numbers 订货号	Designation Type 型号规格	Electrical Characteristics 电气特性				
		7BKN/85-中部微动指示 Indicator for Micro	Ampere 电流 (A)	Voltage 电压(V)	Pre-arcing 弧前 I ² t(A ² S)	Total 熔断 I ² t @1100V(A ² S)	Watts Loss In 功耗(W)
7SBKN/115	109M8061	KST75-2000A/1100VAC7BKN/115	2000A	1100VAC	1000000	5550000	405
	109M8062	KST75-2500A/1100VAC7BKN/115	2500A	1100VAC	2000000	11000000	450
	109M8063	KST75-3000A/1100VAC7BKN/115	3000A	1100VAC	3550000	19500000	485
	109M8064	KST75-3500A/1100VAC7BKN/115	3500A	1100VAC	5750000	31000000	515
	109M8065	KST75-4000A/1100VAC7BKN/115	4000A	1100VAC	8700000	4700 000	550
	109M8066	KST75-4500A/1100VAC7BKN/115	4500A	1100VAC	12500000	67500000	580
	109M8067	KST75-5000A/1100VAC7BKN/115	5000A	1100VAC	17000000	93000000	615

Interrupting rating 300kARMS Symmetrical (Estimated) 197 KA tested 开断电流 300KA, 不对称测试电流 197KA.

Single Sided Cooling 单面水冷

1100V	IEC ratings according to fuse terminal temperatures 额定电流根据熔断器端面的温度								
Rated Current	40°C	45°C	50°C	55°C	60°C	65°C	70°C	75°C	80°C
2000A	2400	2350	2300	2250	2250	2200	2150	2150	2100
2500A	3000	2950	2900	2850	2800	2750	2700	2650	2650
3000A	3650	3550	3500	3400	3350	3300	3250	3200	3150
3500A	4250	4150	4050	4000	3900	3850	3800	3750	3700
4000A	4850	4750	4650	4550	4500	4400	4350	4300	4200
4500A	5450	5350	5250	5150	5050	4950	4900	4800	4750
5000A	6050	5950	5800	5700	5600	5500	5450	5350	5300

Double Sided Cooling 双面水冷

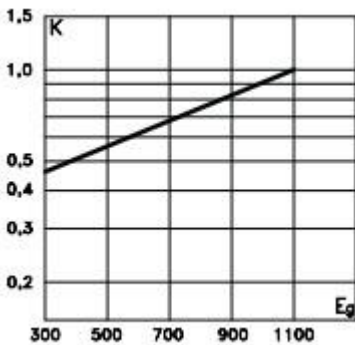
1100V	IEC ratings according to fuse terminal temperatures 额定电流根据熔断器端面的温度								
Rated Current	40°C	45°C	50°C	55°C	60°C	65°C	70°C	75°C	80°C
2000A	2850	2750	2650	2550	2500	2400	2350	2300	2200
2500A	3550	3450	3300	3200	3100	3000	2950	2850	2800
3000A	4300	4150	4000	3850	3750	3650	3500	3450	3350
3500A	5000	4850	4650	4500	4350	4250	4100	4000	3900
4000A	5700	5500	5350	5150	5000	4850	4700	4600	4450
4500A	6450	6200	6000	5800	5600	5450	5300	5150	5050
5000A	7150	6900	6650	6450	6250	6050	5900	5750	5600



Main Characteristics 主要技术参数 电压等级:1000V~1100VAC 电流范围:from 2000A to 5000AaR

Total clearing I^2t 熔断 I^2t

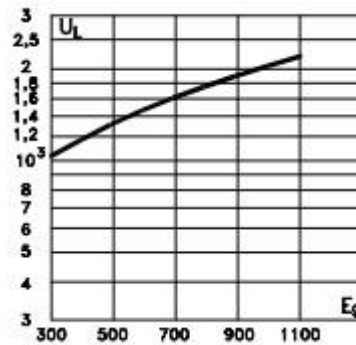
The total clearing I^2t at rated voltage and at power factor of 15% are given in the electrical characteristics. For other voltages, the clearing I^2t is found by multi-plying by correction factor, K, given as a function of applied working voltage, E_g , (RMS) 熔断 I^2t 在额定电压下给出, 其他电压下的熔断 I^2t 参照下图中的修正系数 K.



Arc Voltage 电弧电压

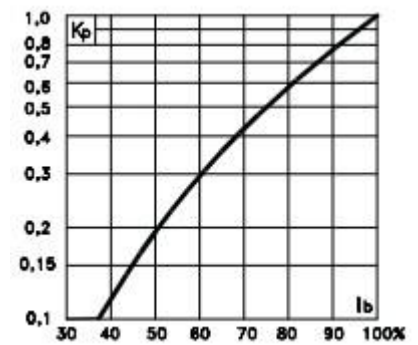
This curve gives the peak arc voltage, U_L , which may appear across the fuse during its operation as a function of the applied working voltage E_g , (RMS) at a power factor of 15%.

电弧电压和工作电压的关系曲线图:

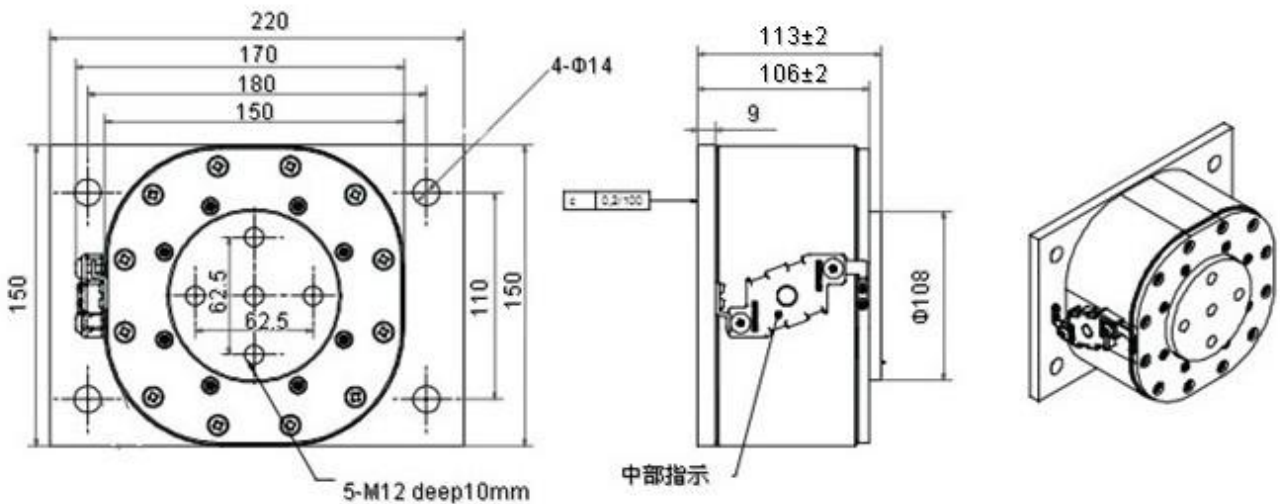


Power Losses 功耗

Watts loss at rated current is given in the electrical characteristics. The curve allows the calculation of the power losses at load currents lower than the rated current. The correction factor, K_p , is given as a function of the RMS load current, I_b , in % of the rated current. 不同电流下的功耗曲线修正图:



Dimensions(mm)安装示意图: 7SBKN/115

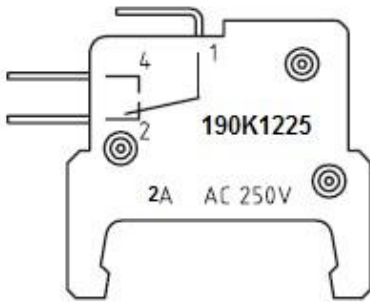


Micro Switch Fitting main Characteristics

微动开关主要技术参数

Rated Voltage 电压等级: AC 250 V

M-Switch For Fuse-Links with Adapter / For Micro Switch Fitting 微动开关特性:



Rated Voltage	Breaking Capacity	
	Non Inductive Load	Inductive Load
AC 250 V	2 A	2 A

Rated Voltage	Breaking Capacity	
	Non Inductive Load	Inductive Load (L/R = 25 ms)
DC 250 V	200 mA	100 mA
DC 60 V	1 A	500 mA
DC 24 V	1.5 A	1.5 A

